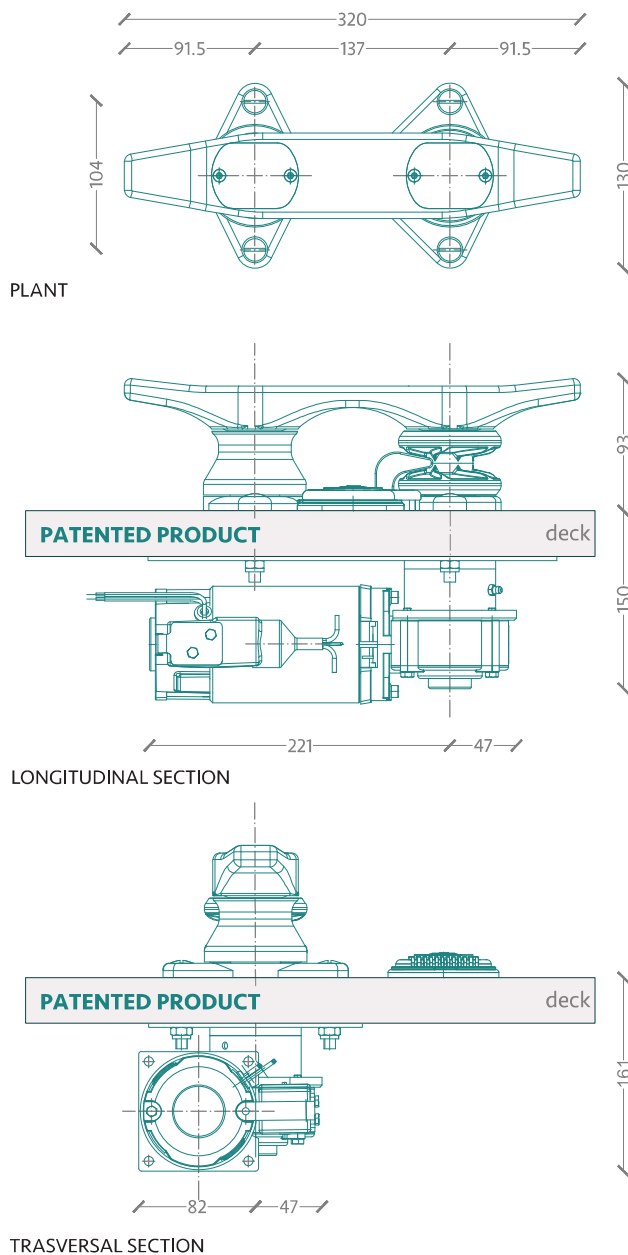


# TDS Model B3A121H



## DIMENSIONS



## TECHNICAL DATA

<b>Model</b>	B3A121H
<b>Rated Voltage In</b>	12 VDC
<b>Power</b>	230 W
<b>Rated Load Current</b>	25 A
<b>Maximum Current Draw</b>	40 A
<b>Duty Cycle</b>	S2 5 min
<b>IP Rating (Motor)</b>	IP44
<b>Maximum Rope Speed</b>	6,5 M/Min
<b>Output Shaft Speed</b>	60 RPM
<b>Output Shaft Torque</b>	25-30 Nm
<b>Load In Work On Gearbox</b>	1100 N - 110 Kg
<b>Maximum Load On Gearbox</b>	1600 N / 145-175 Kg
<b>Insulation Class</b>	F
<b>Gearbox Oil</b>	ISO 150 PAO
<b>Tot Weight</b>	11,5 kg
<b>Included Command</b>	Single Way Footswitch
<b>Material</b>	Stainless Steel AISI 316 L
<b>Mooring Line Section Range</b>	22mm - 30mm
<b>Vessel Length (Suggested)</b>	40-45 ft/ 12-15 mt
<b>Vessel Weight (Suggested)</b>	15-20 tons

The Self Tailing Cleat