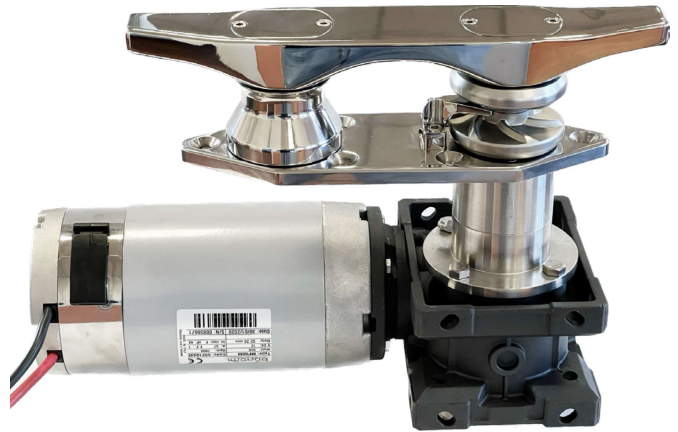
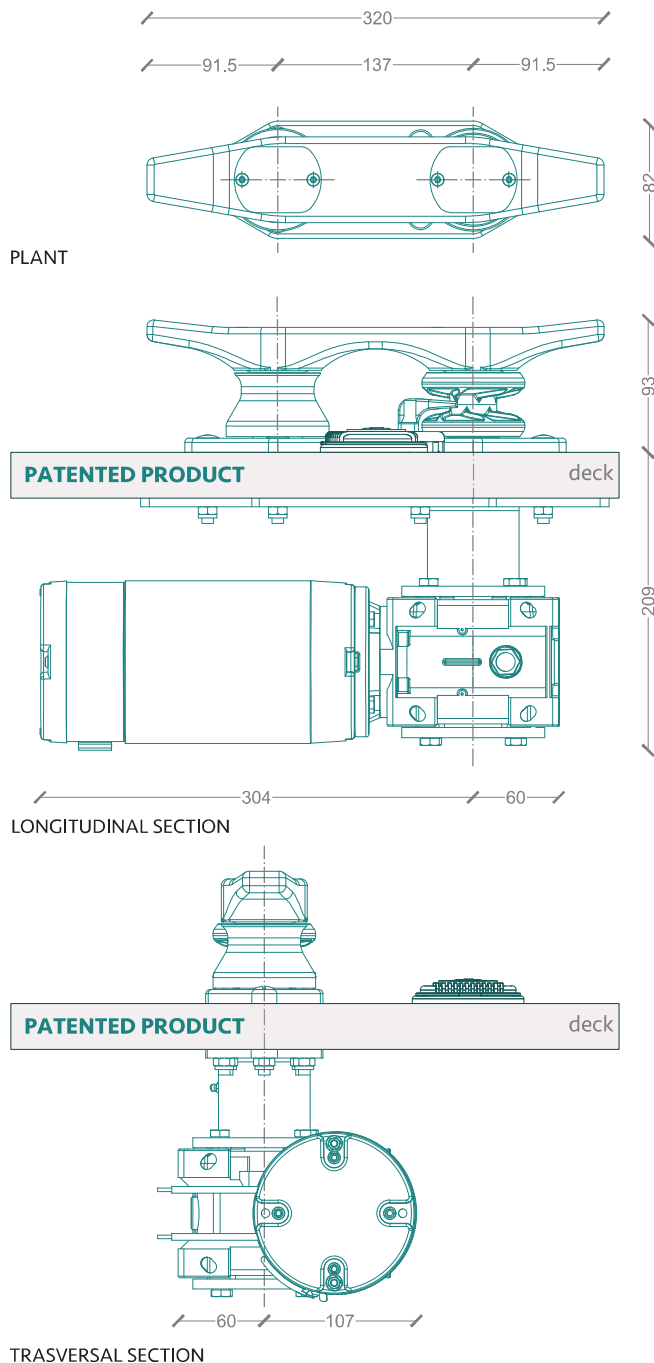


# TDS Model B2C243H



## DIMENSIONS



## TECHNICAL DATA

<b>Model</b>	B2C243H
<b>Rated Voltage In</b>	24 VDC
<b>Power</b>	550 W
<b>Rated Load Current</b>	27 A
<b>Maximum Current Draw</b>	40 A
<b>Duty Cycle</b>	S2 30 min
<b>IP Rating (Motor)</b>	IP44
<b>Maximum Rope Speed</b>	8 M/Min
<b>Output Shaft Speed</b>	60 RPM
<b>Output Shaft Torque</b>	78 Nm
<b>Load In Work On Gearbox</b>	3120 N- 318 kg
<b>Maximum Load On Gearbox</b>	6240 N / 600-630 kg
<b>Insulation Class</b>	F
<b>Gearbox Oil</b>	Shell Omala S4WE
<b>Tot Weight</b>	23 kg
<b>Included Command</b>	Single Way Footswitch
<b>Material</b>	Stainless steel AISI 316 L
<b>Mooring Line Section Range</b>	22mm - 30mm
<b>Vessel Length (Suggested)</b>	45-70 ft/ 15-22 mt
<b>Vessel Weight (Suggested)</b>	20-30 tons

The Self Tailing Cleat