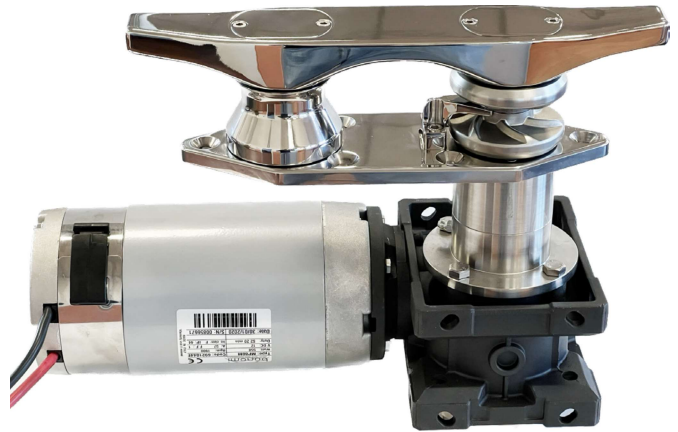
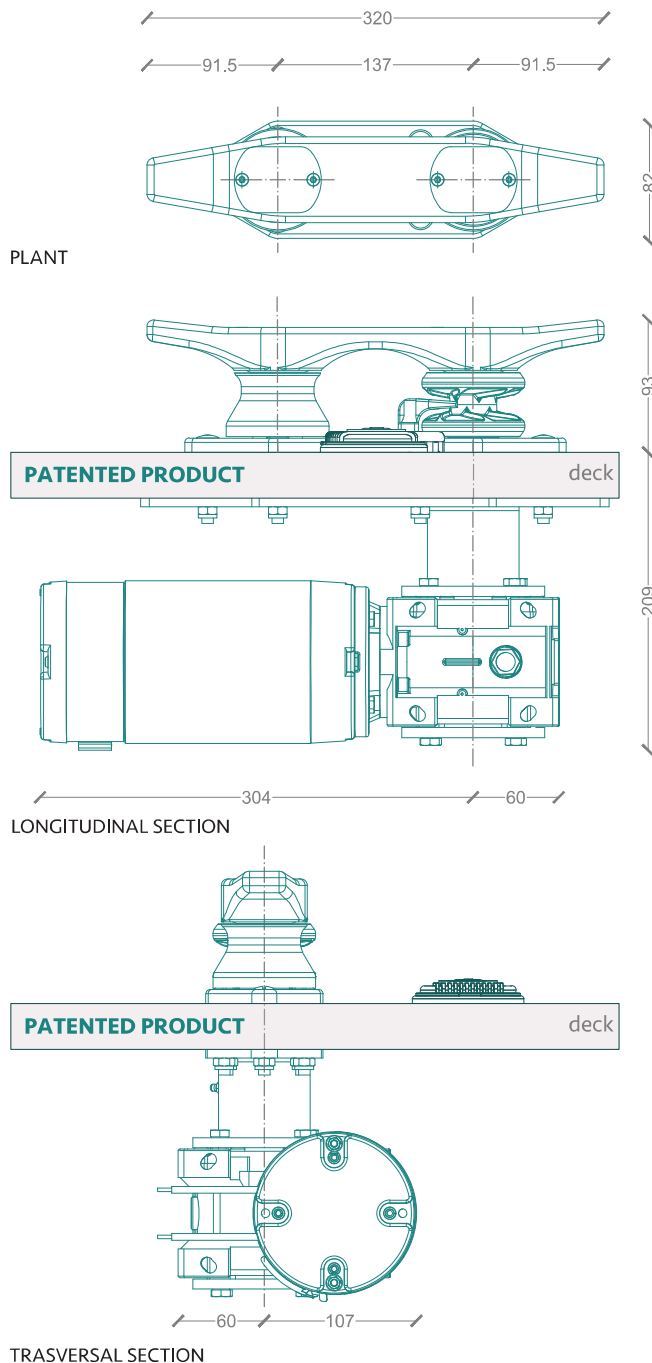


TDS Model B4C123H



DIMENSIONS



TECHNICAL DATA

Model	B4C123H
Rated Voltage In	12 VDC
Power	550 W
Rated Load Current	57 A
Maximum Current Draw	60 A
Duty Cycle	S2 30 min
IP Ratin (Motor)	IP44
Maximum Rope Speed	8 M/Min
Output Shaft Speed	60 RPM
Output Shaft Torque	78 Nm
Load In Work On Gearbox	3120 N - 318 kg
Maximum Load On Gearbox	6240 N / 600-630kg
Insulation Class	F
Gearbox Oil	Shell Omala S4WE
Maximum current absorbed	60 A
Tot Weight	23 kg
Included Command	Single Way Footswitch
Material	Stainless Steel AISI 316 L
Mooring Line Section Range	22mm - 30mm
Vessel Length (Suggested)	45-70 ft/ 15-22 mt
Vessel Weight (Suggested)	20-30 tons

The Self Tailing Cleat