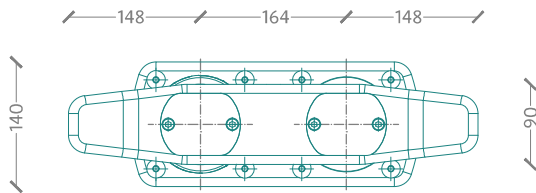


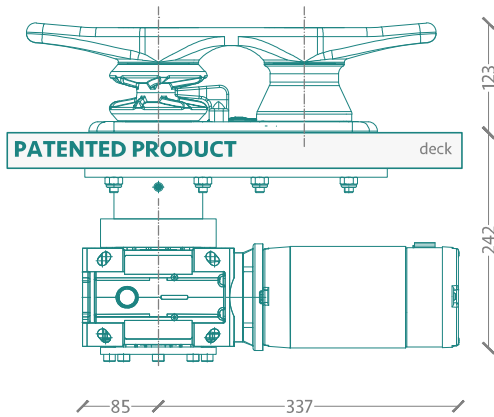
TDS Model B2B244H



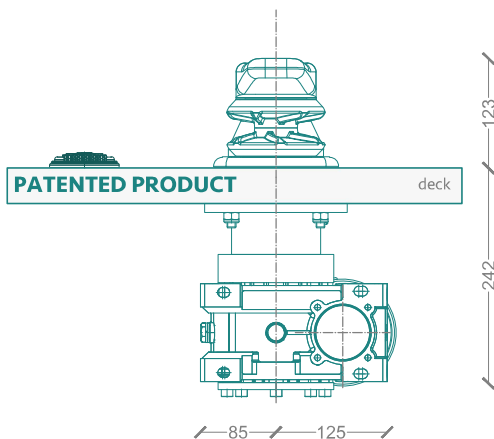
DIMENSIONS



PLANT



LONGITUDINAL SECTION



TRASVERSAL SECTION

TECHNICAL DATA

Model	B2B244H
Rated Voltage In	24 VDC
Power	550 W
Rated Load Current	27 A
Maximum Current Draw	40 A
Duty Cycle	S2 30 min
IP Rating (Motor)	IP44
Maximum Rope Speed	6,8 M/Min
Output Shaft Speed	60 RPM
Output Shaft Torque	260-270 Nm
Load On Work On Gearbox	4000 N / 400-410 kg
Maximum Load On Gearbox	7848 N - 800 kg
Insulation Class	F
Gearbox Oil	ISO 150 PAO
Tot Weight	52 Kg
Included Command	B40C124V
Material	Stainless Steel AISI 316 L
Mooring Line Section Range	25mm-35mm
Vessel Length (Suggested)	70-95 ft / 22-30 mt
Vessel Weight (Suggested)	30-40 tons

The Self Tailing Cleat