



JOY

la Galloccia Self Tailing
the Self Tailing Cleat

Cod. n° B2B124H

bonomi
earth and sea innovations





JOY B2B124H

DICHIARAZIONE CE DI CONFORMITA'
Declaration of Conformity
(Allegato IIA DIR. 2006/42/CE)



IL FABBRICANTE / THE MANUFACTURER

Bonomi S.r.l

Azienda / Company

Via Mario Pagano, 63

Indirizzo / Address

20145

Cap / Postal code

MI

Provincia / Province

Milano

Città / City

Italia

Stato / State

DICHIARA CHE LA MACCHINA / DECLARES THAT THE MACHINE

GALLOCCIA MOTORIZZATA MOD. JOY B2B124H 400KG 12V / MOTORISED CLEAT MOD. JOY B2B124H 400KG 12V

Descrizione / Description

Matricola / Serial Number

Adatta a favorire l'ormeggio delle imbarcazioni / Suitable for boat mooring

Usa previsto / Intended use

Anno costruzione / Year of manufacture

SODDISFA LE DISPOSIZIONI DELLA DIRETTIVA 2006/42/CE del Parlamento europeo e del Consiglio, del 17 maggio 2006 relativa alle macchine e che modifica la direttiva 95/16/CE.

MEETS THE PROVISIONS OF THE DIRECTIVE 2006/42/EC of the European Parliament and of the Council of 17 May 2006 on machinery, and amending Directive 95/16/EC

E AUTORIZZA / AND AUTHORIZE

Cristiano Bonomi

Nominativo / Name

Via Mario Pagano, 63

Indirizzo / Address

20145

Cap / Postal Code

MI

Provincia / Province

Milano

Città / City

Italia

Stato / State

A COSTITUIRE IL FASCICOLO TECNICO / TO PROVIDE THE TECHNICAL FILE

Milano,/...../.....


Timbro e firma del responsabile
Stamp and signature of director

BONOMI srl
Soc. Unipersonale

Head Office
Via Mario Pagano, 63
20145 Milano
Italy
C.F. P.IVA IT09477540968

Facility
Via B. Salvadori, 34
15011 Acqui Terme (AL)
Italy

Contact
www.bonominet.it
info@bonominet.it



JOY B2B124H

INDEX

pag. 8-29

MANUALE DI INSTALLAZIONE
INSTALLATION MANUAL

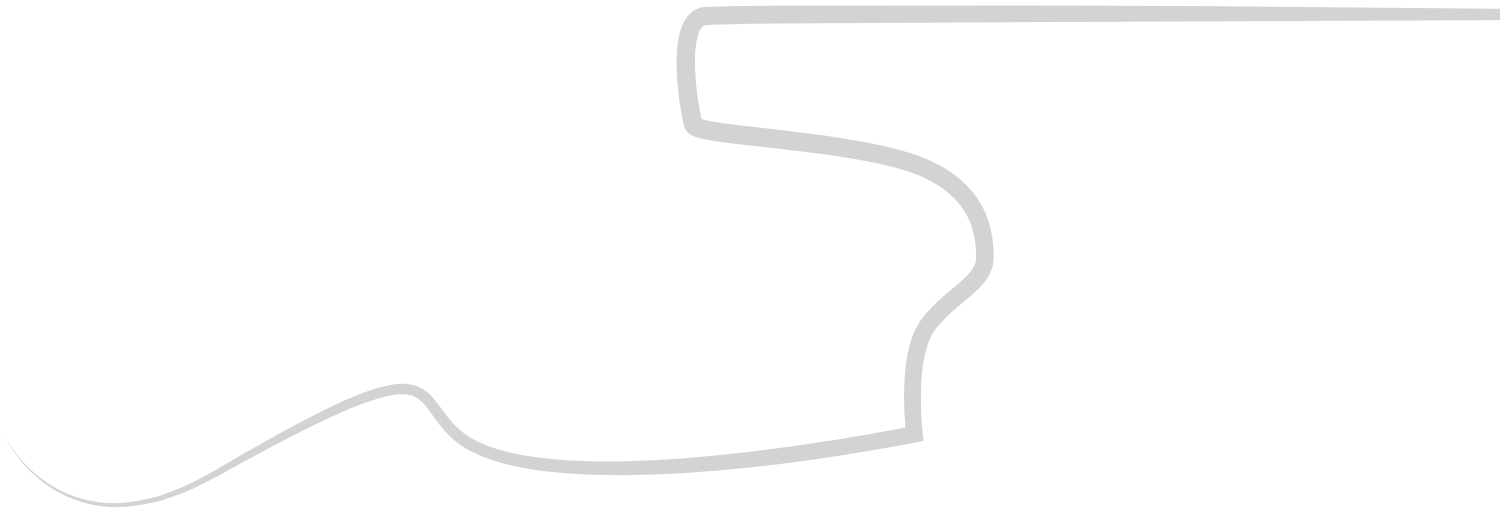
pag. 30-35

MANUALE D'USO E MANUTENZIONE
USE AND MAINTENANCE MANUAL

JOY B2B124H

LEGGERE ATTENTAMENTE!
READ CAREFULLY!

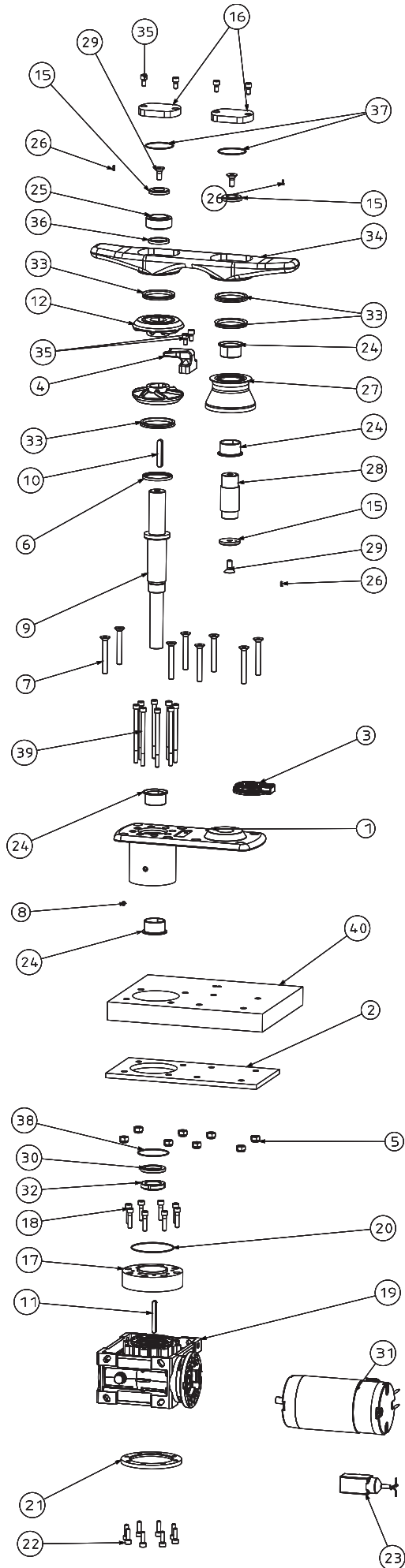
JOY B2B124H



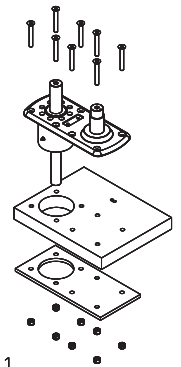


MANUALE DI INSTALLAZIONE

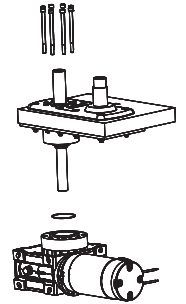
INSTALLATION MANUAL



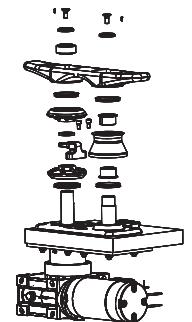
ITEM	Q.ty	PART NUMBER	DESCRIPTION	MATERIAL
39	8	B8A245H021	SOCKET HEAD CAP SCREW ISO 4762-M5x55-A4	A4
38	1	B2B244H023	O-RING Øi=63.22 CROSS SECTION Ø=1.78 2-37	NBR
37	2	B2B244H024	O-RING Øi=56.84 CROSS SECTION Ø=1.78 2-35	NBR
36	1	B2B244H007	SPACER	AISI 316-L
35	6	B2B244H018	SOCKET HEAD CAP SCREW ISO 4762 M8x16	A4
34	1	B8A245H017	V-RING TRELLEBORG TWA00650	NBR
33	3	B2B244H017	V-RING TRELLEBORG TWA00600	NBR
32	1	B2B244H021	NUT M35x1.5 KMFE 7 SKF	STEEL
31	1	B4A242H001	ELECTRIC MOTOR 12 VOLTS	
30	1	B2B244H015	SPACER	AISI 316-L
29	3	B2B244H014	SOCKET COUNTERSUNK HEADSCREW ISO 10642 M10x25	AISI 316-L
28	1	B2B244H013	SHAFT	AISI 316-L
27	1	B2B244H012	ROLLER	AISI 316-L
26	3	B1A242H091	SPRING PIN 3x10 ISO 8752	INOX
25	1	B2B244H019	SPHERICAL JOINT GLE_35-60-500	INOX
24	4	B2B244H020	FLANGED BUSH EGF40260-E40-B SCHAEFFLER	STEEL
23	1	B1A242H065	SINGLE POLE CONTACTOR	
22	8	B8A245H034	SOCKET HEAD CAP SCREW ISO 4762-M8X25-A4	A4
21	1	B8A245H035	COVER FLANGE	AISI 316-L
20	2	B8A245H028	O-RING Øi=88.62 CROSS SECTION Ø=1.78 2-43	NBR
19	1	B2B244H022	MV75 fig FM 80 B14 GROVED UNI 222 8x5x45	
18	8	B8A245H024	SOCKET HEAD CAP SCREW ISO 4762-M8x35-A4	A4
17	1	B2B244H011	FLANGE	AISI 316-L
16	2	B2B244H009	COVER	AISI 316-L
15	3	B2B244H010	SEALING WASHER	AISI 316-L
14	1	B2B244H008	TOP PLATE WITHOUT COVER CENTERING	AISI 316-L
13	1	B2B244H002	UPPER ROPE RING	ABS
12	1	B2B243H003	UPPER ROPE RING	ABS
11	1	B8A245H020	KEY UNI 6604-A 8x7 l=63 DIN 6885-A	AISI 316-L
10	1	B2B244H006	KEY UNI 6604-A 10x8 l=60 DIN 6885-A	AISI 316-L
9	1	B2B244H004	DRIVE SHAFT	AISI 316-L
8	1	B1A242H050	GREASE NIPPLE M6x1 UNI 7663-A	AISI 316
7	8	B8A245H022	SCREW COUNTERSUNK M10x80 ISO 10462	A4
6	1	B8A245H016	SEAL G55x63x5 SHAEFFLER	NBR
5	8	B8A245H023	HEXAGON LOKNUT M10 A4 ISO7040	A4
4	1	B2B244H016	STRIPPER	AISI 316-L
3	1	B1A242H022	FOOTSWITCH	
2	1	B2B244H005	LOWER PLATE	AISI 316-L
1	1	B2B244H001	BEARING SUPPORT FLANGE	AISI 316-L



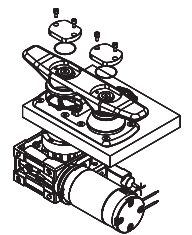
assembly phase 1



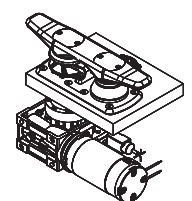
assembly phase 2



assembly phase 3



assembly phase 4



assembly phase 5

JOY B2B124H



10) FISSAGGIAMENTO DEL PULANTE A FINALE
 Mounting of the final switch

IMPORTANTE: EVITARE DI ARRETRARLO
 IMPORTANT: AVOID REVERSE

11) STEP FINALE FINIS STEP

CREARE FAREMMA

GIUGOCAMMIO ESTERNO RECUPERO SILENZIO
 EXTERNAL CONNECTION ACCORDING TO SCHEME



ALARM (only useful in presence of the alarm system)

STOP (only useful in presence of the alarm system)

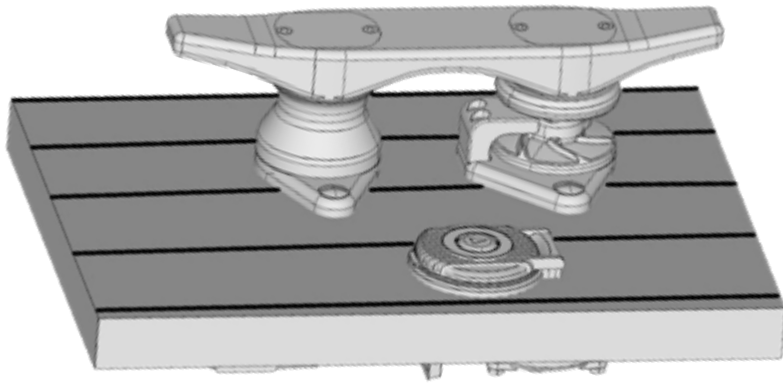
START (only useful in presence of the alarm system)

ATTENZIONE: INVESTIGARE
 ATTENTION: INVESTIGATE

IMPORTANTE: VERIFICARE
 IMPORTANT: CHECK

ENJOY WITH JOY





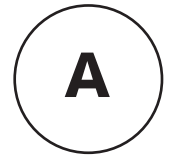
ATTREZZATURA NECESSARIA PER L'INSTALLAZIONE DI JOY

EQUIPMENT NEEDED TO INSTALL JOY

- _ Trapano elettrico professionale.
Professional electric drill.
- _ Punta da trapano per metalli
Metal drill bit Hss-R: OD 9 mm
- _ Chiave combinata per dado.
Combined wrench Key: OD 17 mm
- _ Chiave a brugola.
Allen wrench key: 6 mm
- _ Cacciavite.
Screw driver: head Flat or Torx
- _ Sega a tazza
Hole saw: OD 110 mm
- _ Grasso raccomandato per cuscinetti e guarnizioni.
Recommended Grease for bearing and gasket:
Synthetyc bearing and gear grease for nautial application:
 - SKF-LGM 2
 - Molikote
 - SMW Autoblock - K50

SUGGERIMENTI DI POSIZIONAMENTO SUL PONTE

DECK INSTALLATION GUIDE LINE

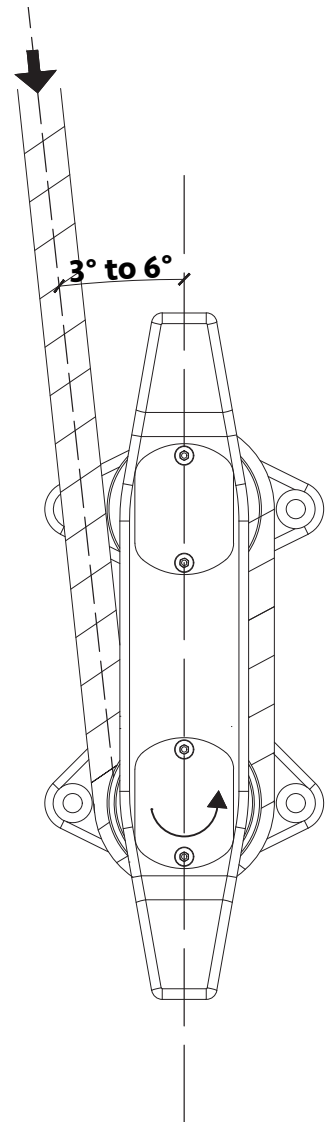
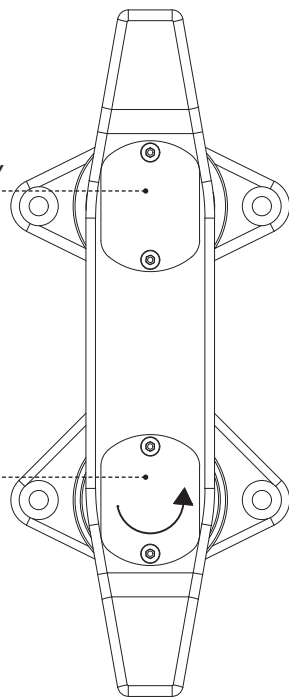


PRUA - SINISTRA
BOW - LEFT

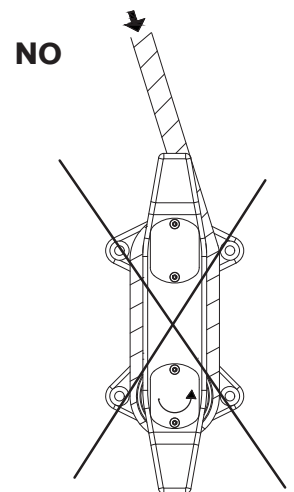
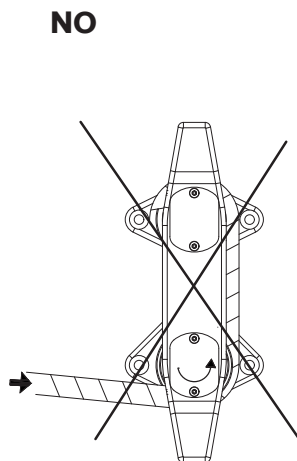
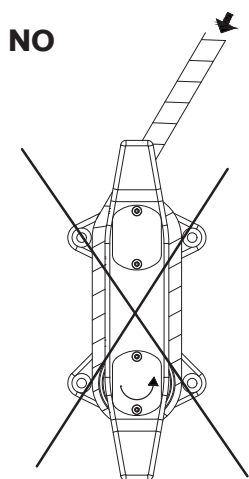
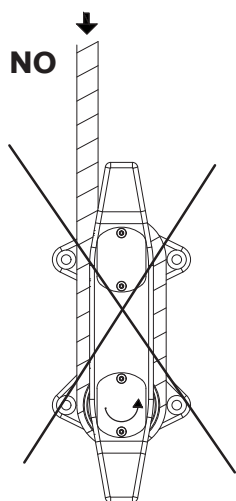
NEUTRAL PULLEY

MOTOR PULLEY

SELF TAIL



JOY B2B124H



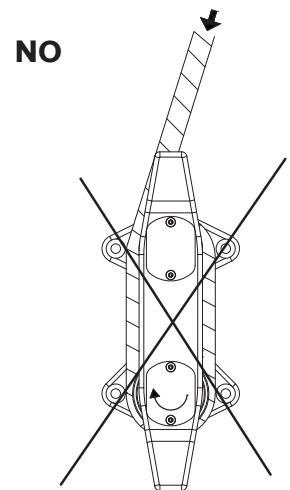
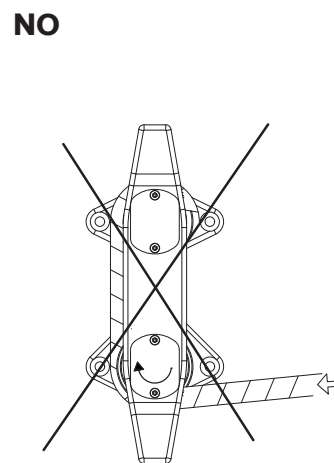
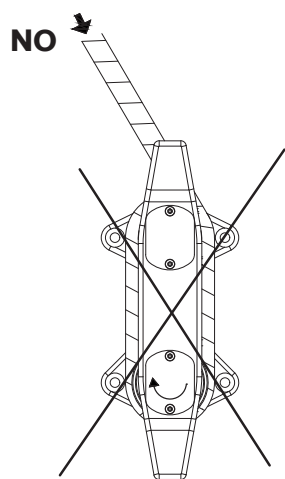
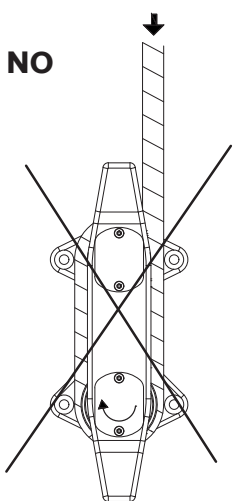
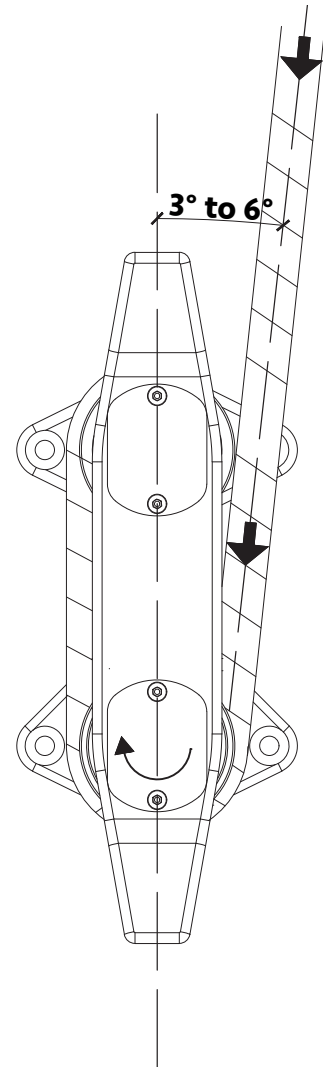
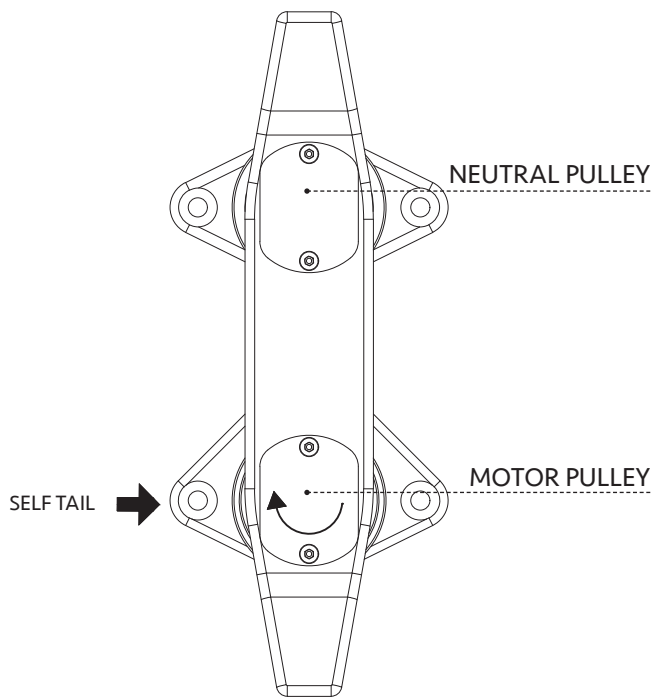
SUGGERIMENTI DI POSIZIONAMENTO SUL PONTE

DECK INSTALLATION GUIDE LINE

B

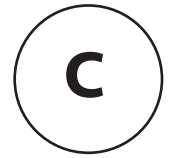


PRUA - DRITTA
BOW - RIGHT



SUGGERIMENTI DI POSIZIONAMENTO SUL PONTE

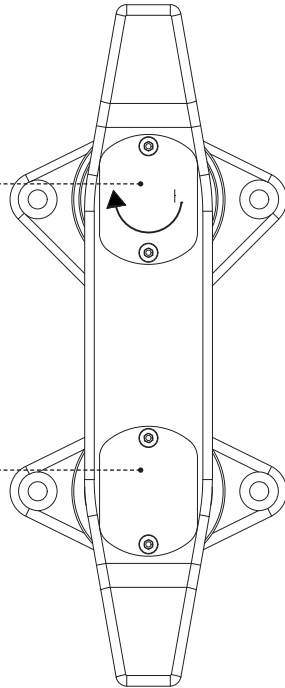
DECK INSTALLATION GUIDE LINE



POPPA - SINISTRA STERN - LEFT

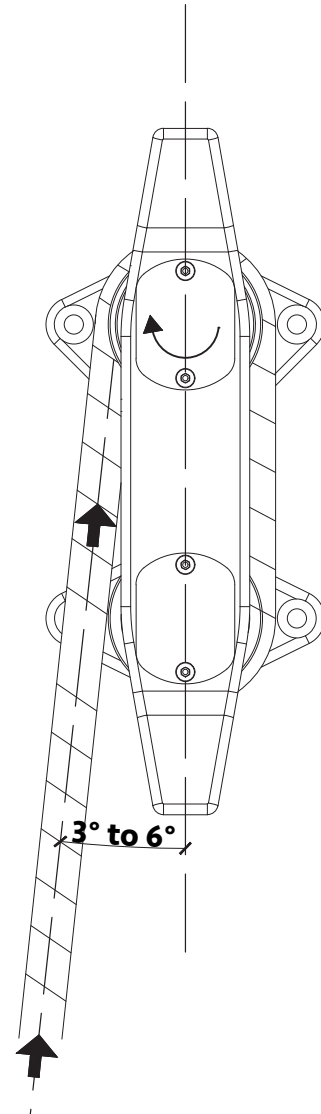


MOTOR PULLEY



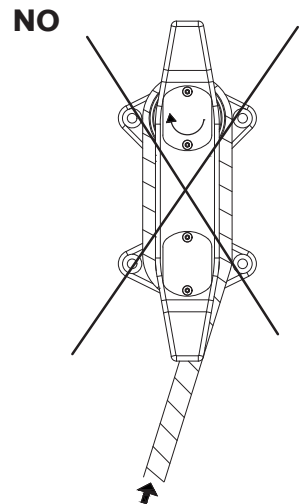
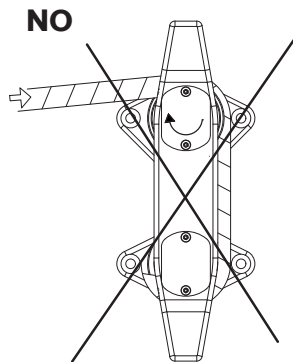
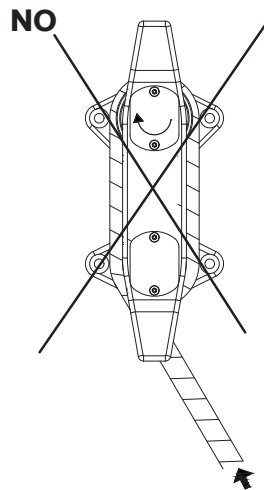
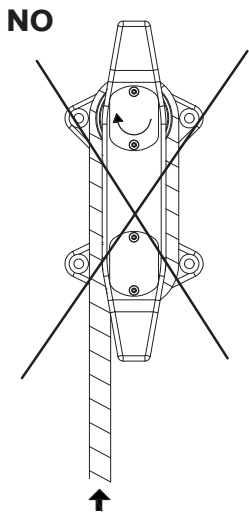
SELF TAIL

NEUTRAL PULLEY



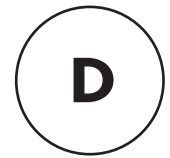
3° to 6°

JOY B2B124H

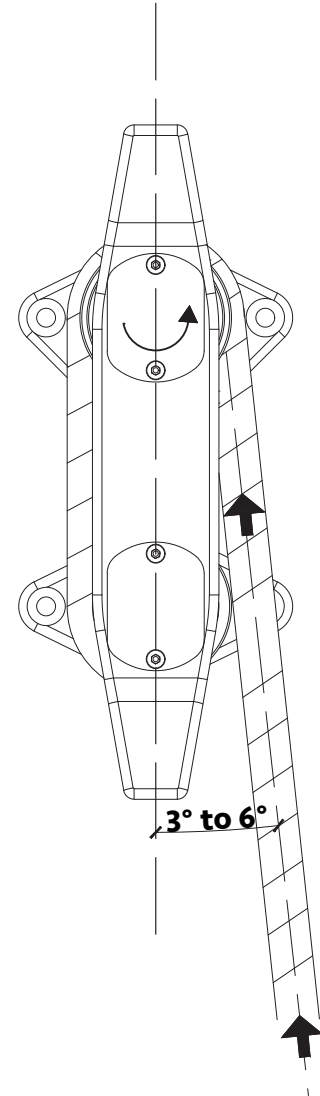
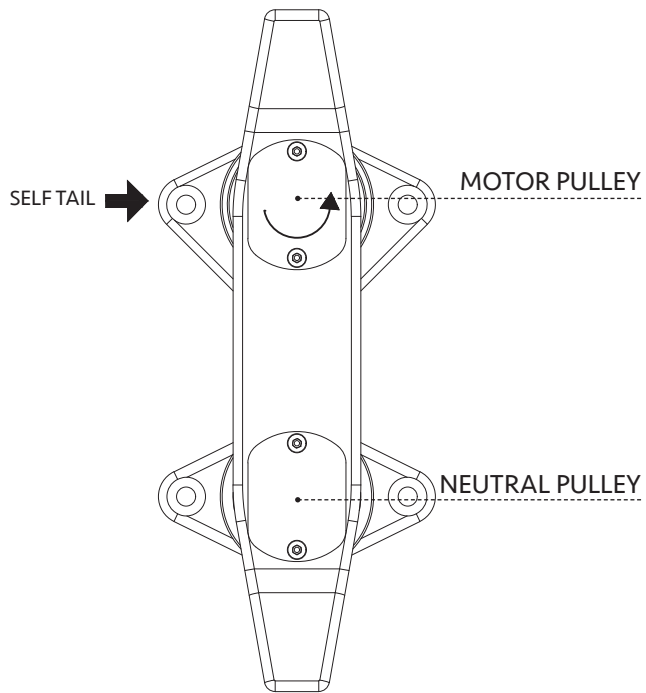


SUGGERIMENTI DI POSIZIONAMENTO SUL PONTE

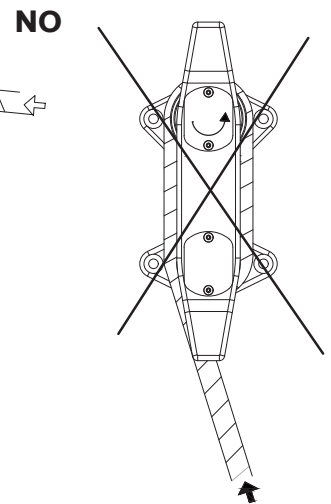
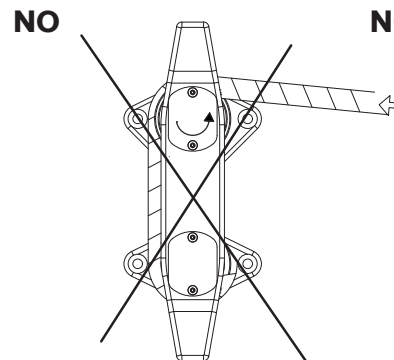
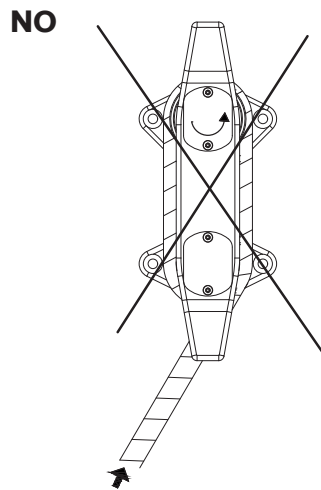
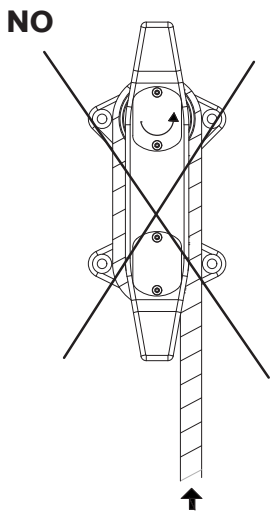
DECK INSTALLATION GUIDE LINE



POPPIA - DRITTA
STERN - RIGHT



JOY B2B124H



1) PREPARAZIONE E POSIZIONE

POSITION AND PREPARATION

Preparazione posizione.

Rimuovere le attrezzature vecchie e togliere tutte le asperità della zona di installazione.

NOTA: JOY è una attrezzatura elettro meccanica deve essere installata professionalmente al fine di ottenere una migliore e piu duratura vita.

Position preparation. Remove the old equipment and all the bumps in the area of installation.

NOTE: JOY is an electro-mechanical equipment must be installed professionally in order to achieve a better and more sustainable life.



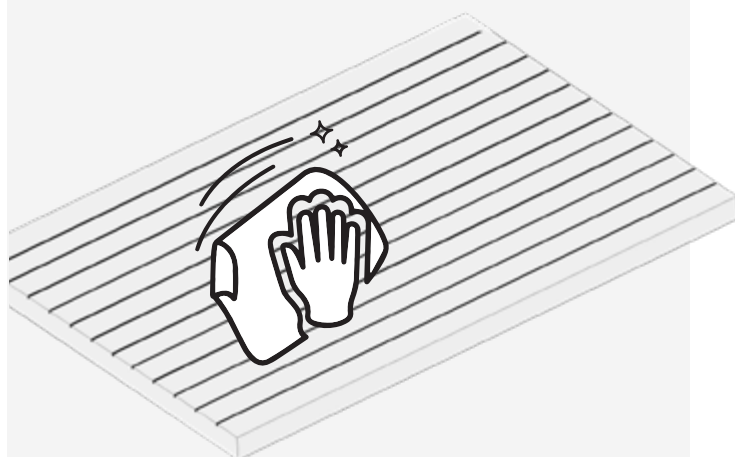
JOY B2B124H

2) PULIZIA PONTE PRIMA DEL MONTAGGIO

DECK CLEARING BEFORE ASSEMBLY

Il ponte deve presentare un piano liscio senza scalini o asperità, l'installazione di JOY su un ponte non piatto compromette la sua funzionalità.

The deck must have a smooth plane without steps or haze, JOY installation on a non-flat deck compromises its functionality.





3) CONTROPIASTRA DI FISSAGGIO USATA COME DIMA

COUNTERPLATE USED AS MOUNTING TEMPLATE.

NB: Il posizionamento di JOY deve essere studiato bene prima dell'esecuzione dei rispettivi fori di fissaggio sul ponte. L'asse longitudinale di Joy deve essere riferito e posizionato, in base al ponte stesso e alla direzione di arrivo della cima di ormeggio.

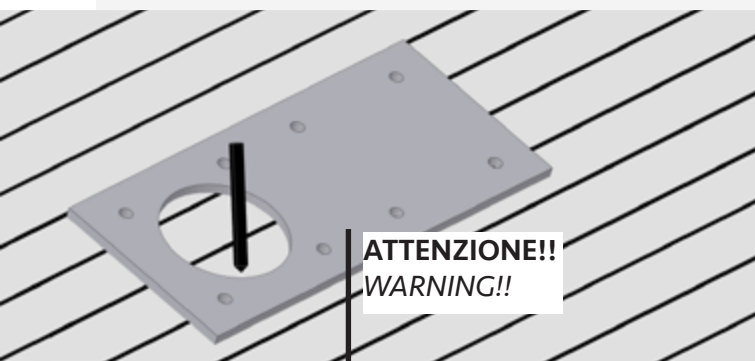
NB: JOY positioning must be well studied before the respective fixing holes on the deck are executed. Joy's longitudinal axis must be reported and positioned, according to the deck itself and the direction of arrival of the mooring line.

IMPORTANTE:

Il posizionamento e i fori sul ponte sono due passaggi fondamentali! Siete pregati di pensare molto bene al posizionamento della vostra JOY sul ponte prima di eseguire i fori!

IMPORTANT:

positioning and holes on the deck are two fundamental steps! Please think very well about positioning your JOY on the deck before running the holes!



ATTENZIONE!!
WARNING!!



**!! NOTA IMPORTANTE
VEDERE PAG. da 14 a 17**

*SEE IMPORTANT NOTE
PAGE 14 to 17*

4) ESECUZIONE DEI 4 FORI PERIMETRALI PER FISSAGGIO JOY

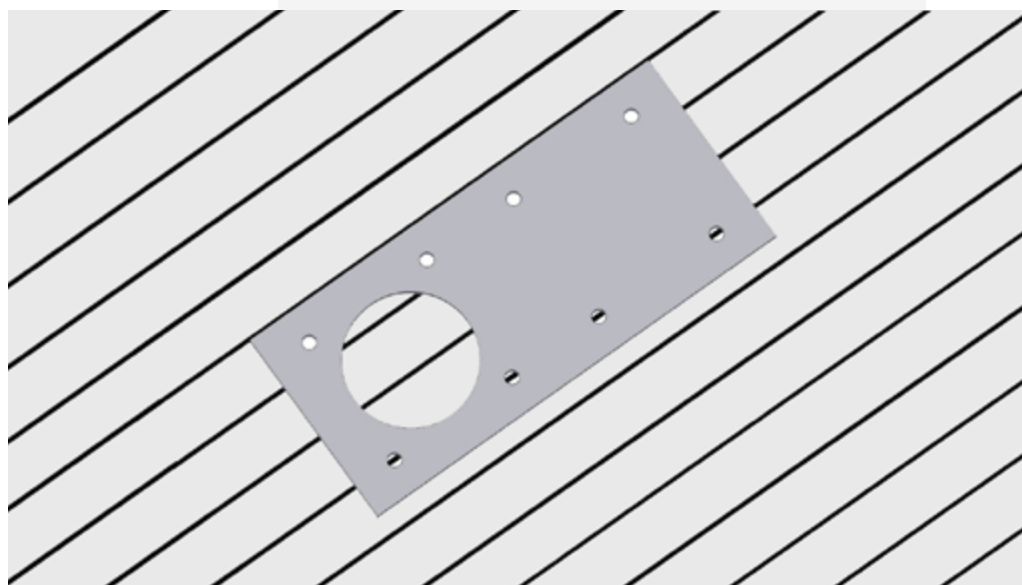
EXECUTION OF 4 PERIMETER HOLES FOR FASTENING JOY TO THE DECK.

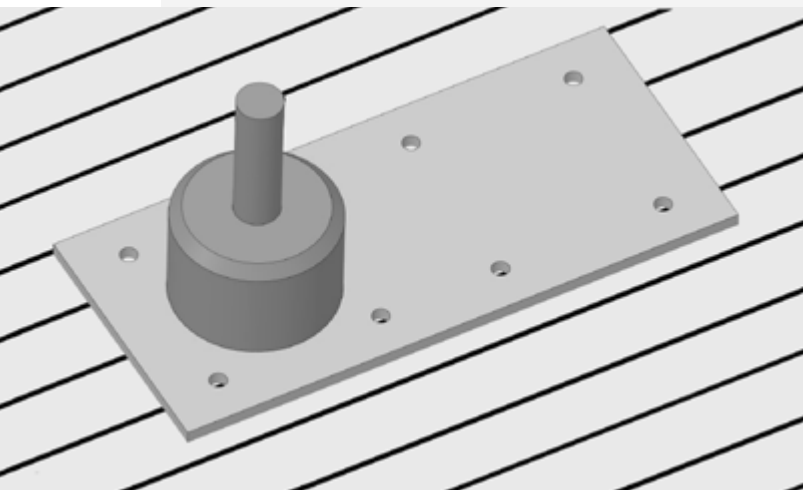
NOTE

Prima di forare il ponte assicurarsi di aver ben compreso e ragionato sulla posizione dei fori.

Before drilling the deck make sure you well understand the positioning of the hole you are doing.

JOY B2B124H



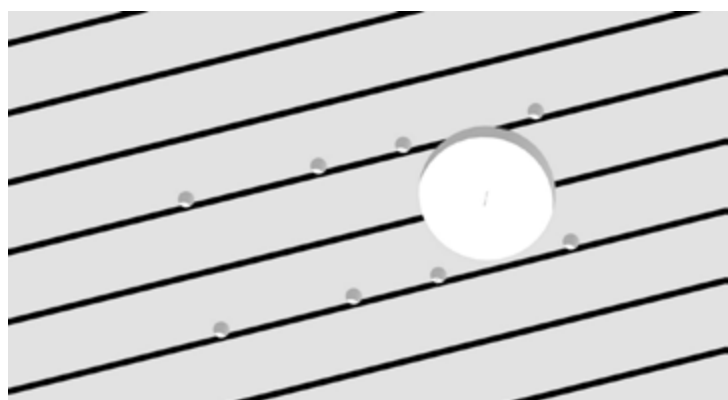


5) FORO CENTRALE PER ASSE MOTORE

CENTRAL HOLE FOR MOTOR AXIS

Prima di forare il ponte assicurarsi di aver ben compreso e ragionato sulla posizione dei fori.

Before drilling the deck make sure you well understand the positioning of the hole you are doing

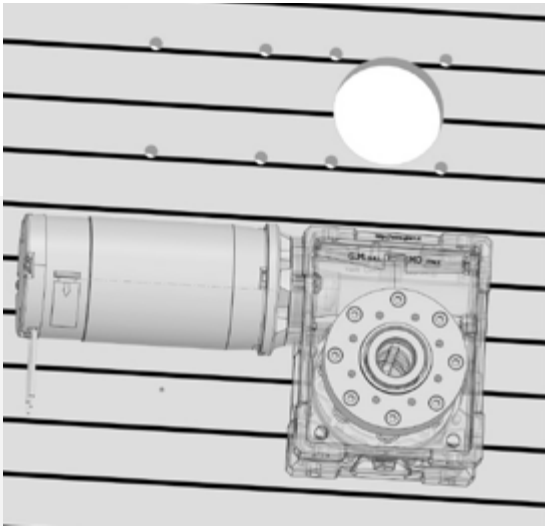


6) POSIZIONAMENTO SOTTO IL PONTE DELLA CONTROLPIASTRA DI FISSAGGIO

UNDER DECK CONTERPLATE POSITIONING

Per fissarla temporaneamente vi suggeriamo di utilizzare una vite di posizione ⑤.

To fix it temporary, we suggest you to utilize and screw of positioning ⑤.



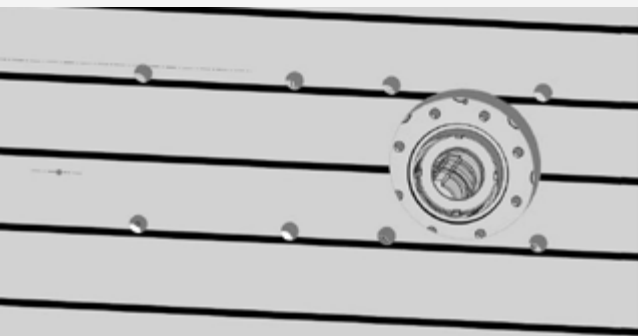
**7) POSIZIONAMENTO MOTORIDUTTORE
PREASSEMBLATO SOTTO COPERTA**

*PRE-ASSEMBLED POSITIONING GEARMOTOR
UNDER DECK*



Ricordare di posare
la contropiastra!

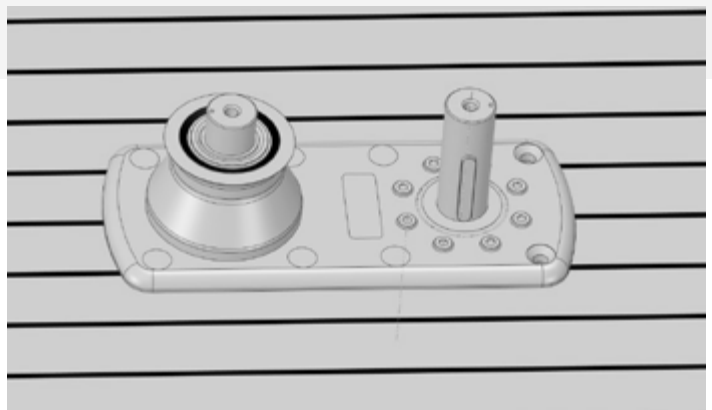
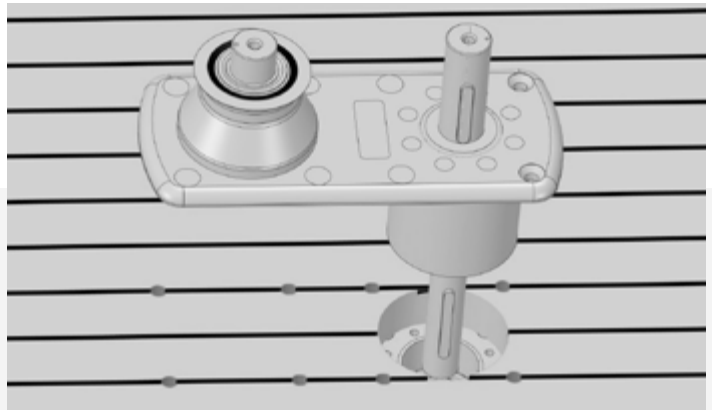
*Remember to insert
the counter plate!*



**Remember to fit
the OR seal !**

**8) FISSAGGIO A BULLONI DEL MOTORIDUTTORE
ALLA COPERTA TRAMITE PARTE SUPERIORE PRE
ASSEMBLATA**

*FIXING THE GEARMOTOR TO THE DECK VIA THE
FIRST UPPER BASE WITH SCREW*

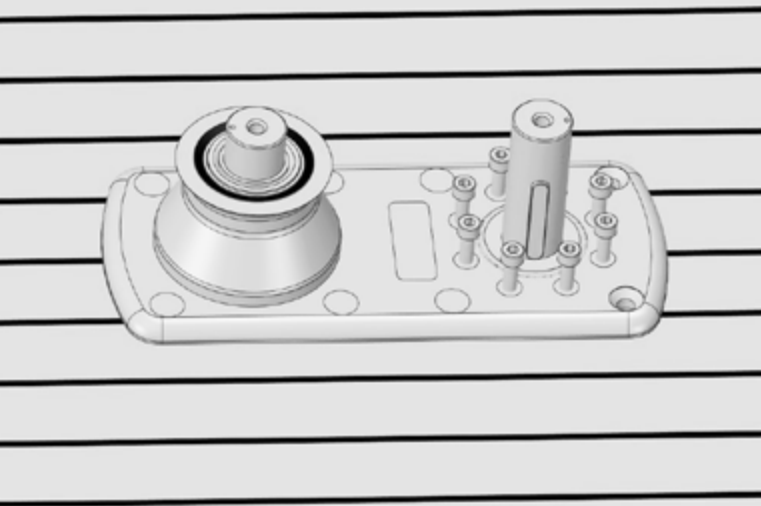


9) FISSAGGIO A BULLONI DEL MOTORIDUTTORE CON LA PARTE SUPERIORE ALLA COPERTA

FIXING THE GEARMOTOR BOLT TO THE UPPER DECK PART

Utilizzare viti di posizione (39)

Utilize screw of position (39).



JOY B2B124H

10) INSERIMENTO SELF TAIL INFERIORE

LOWER SELF-TAIL POSITIONING

Il Self Tail è munito di guarnizioni di tenuta in gomma vulcanizzata, è buona cosa spalmare con grasso apposito suggerito.

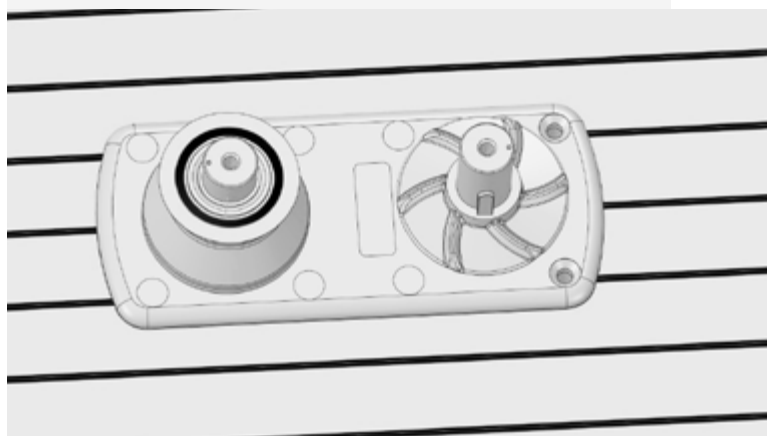
NOTE: I Self-Tail sono studiati per essere montati in coppia e orientati in base alla rotazione del motore per avere la cima di ritorno orientata verso il centro dell'imbarcazione o verso l'esterno in tutte e due i casi JOY non perde la funzionalità.

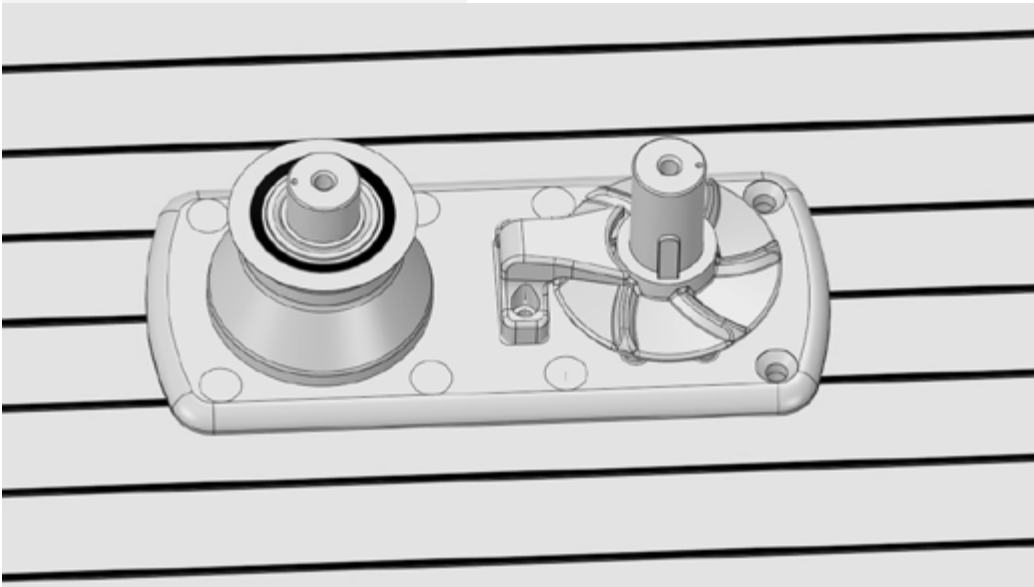
NB: Ragionare bene sul senso di rotazione del Self Tail in funzione del rimando della cima.

The Sel-Tail is fitted with vulcanized rubber sealing gasket, good thing is spread with a special recommended gear grease.

The Self-Tail are designed to be mounted in pairs and oriented to the rotation of the motor to have the return rope oriented towards the boat center or outdoors in all case JOY not lose functionality.

NB: Think very well about the direction of the self tail rotation as a function of the rope back direction



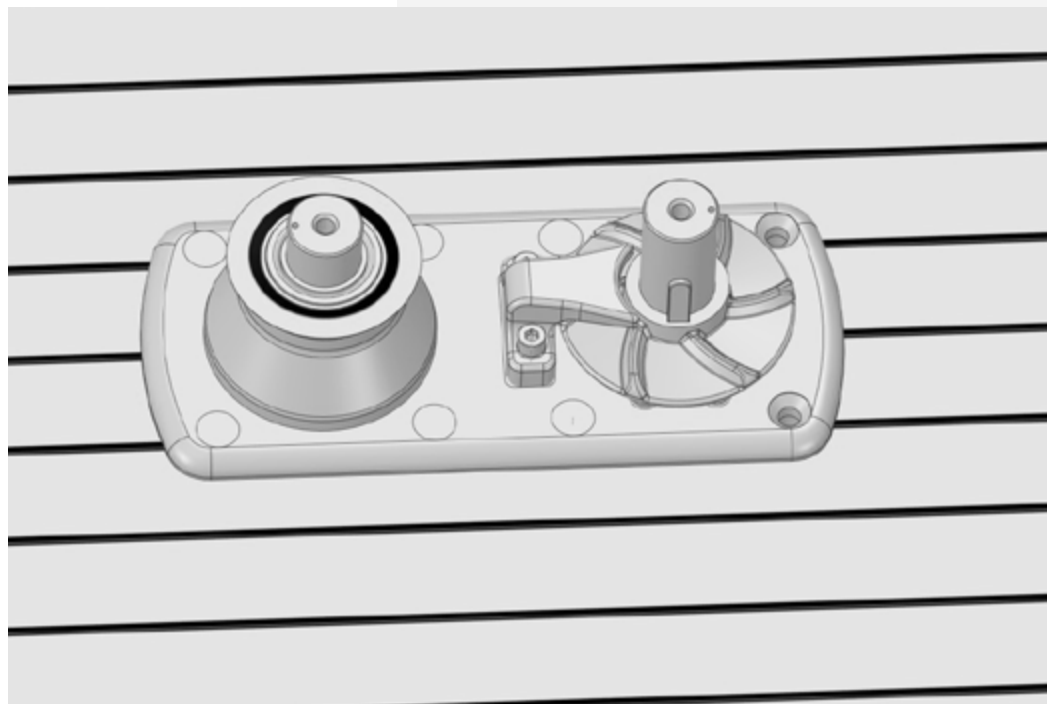


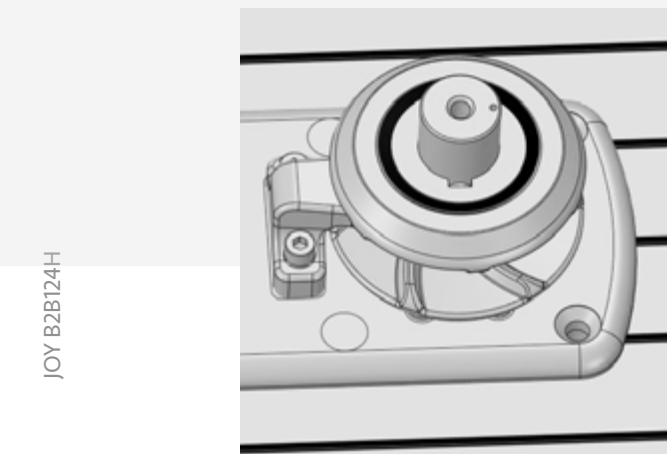
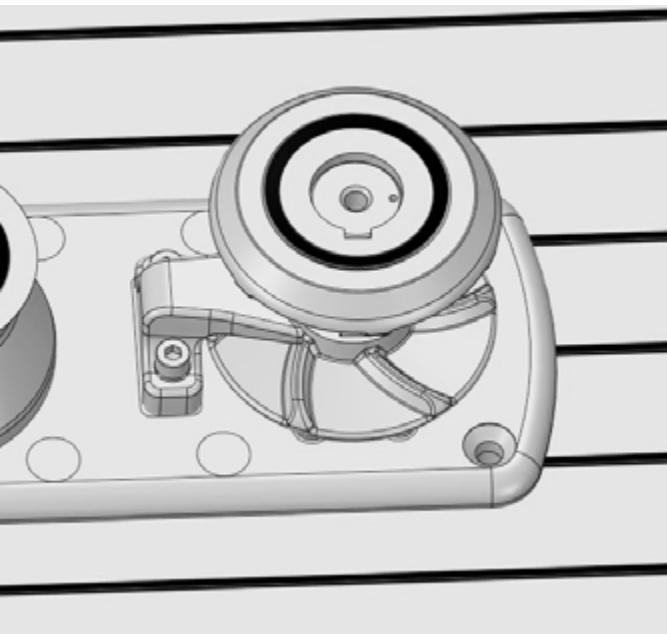
11) POSIZIONAMENTO STRIPPER

LINE STRIPPER POSITIONING

**12) BLOCCAGGIO STRIPPER ARM
ALLA BASE CON VITI DI POSIZIONE (35)**

*STRIPPER ARM LOCK
AT THE BASE WITH SCREW OF POSITION (35)*





JOY B2B124H

13) INSERIMENTO SELF-TAIL SUPERIORE

UPPER SELF-TAIL POSITIONING

Il Self Tail è munito di guarnizioni di tenuta in gomma vulcanizzata è buona cosa spalmare con grasso suggerito.

La mancanza di grasso compromette la durata delle guarnizioni

The Sel- Tailing is fitted with vulcanized rubber sea- ling gasket good thing is spread with a special recommended grease.

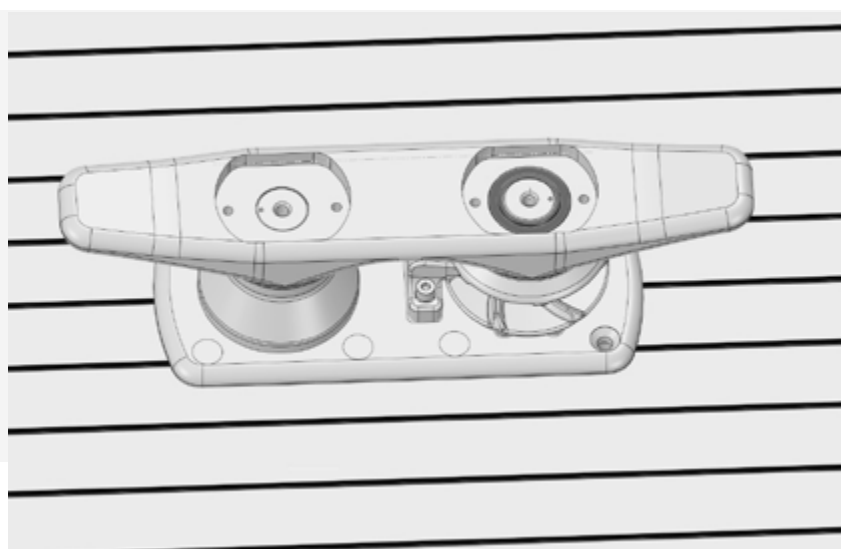
Lack of grease compromises the life of the gasket.

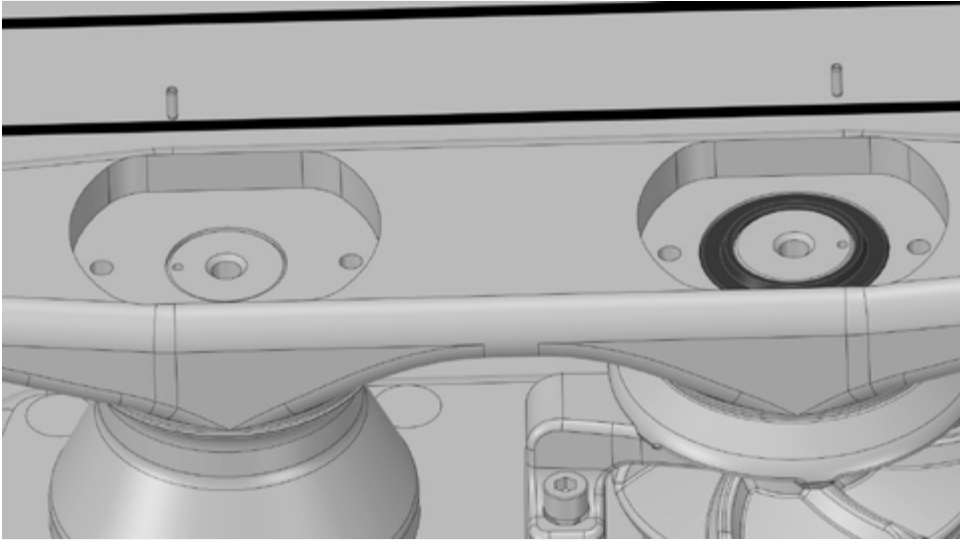
14) INSERIMENTO DELLA PARTE PREMONTATA

INSERT OF THE PREASSEMBLED PART

L'inserto dell'asse motore sul giunto sferico deve essere fatto con attenzione, pulendo e ingrassando le parti con il grasso raccomandato.

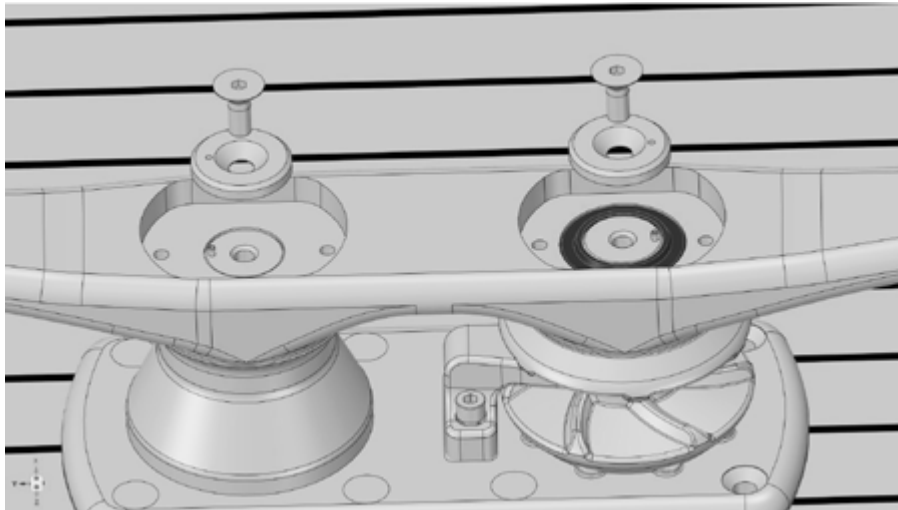
The drive shaft insert on the spherical joint must be done carefully, clearing and greasing the parts with the recommended grease.





**15) INSERIMENTO SPINA ELASTICA
ANTI ROTAZIONE RONDELLA DI TENUTA**

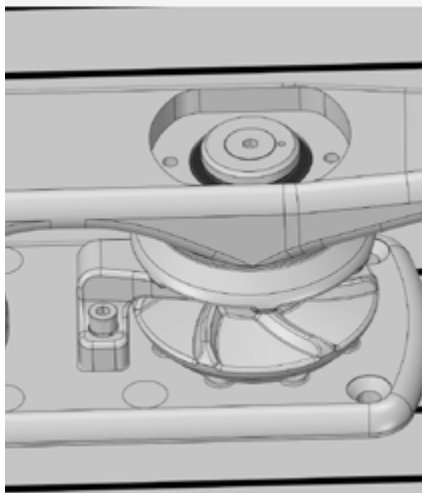
*WASHER ANTI-ROTATION ELASTIC PIN,
TO BE INSERT BEFORE FIT THE SCREW*



**16) COLLEGAMENTO E FISSAGGIO ALL'ALBERO
CONNECTING AND FITTING TO THE SHAFT**

NB: La manovra di serraggio delle viti in posizione ②9 deve essere eseguita prima di eseguire la manovra indicata al punto 17)

NB: the fixing of the screws in position ②9 must be carried out before the maneuver indicated in the step 17).



NB! I due fori di fissaggio del corpo coperchio sono filettati M5 per consentire la futura estrazione, senza danneggiare il coperchio apposito.

The two fixing hole of the conver are M5 threaded to allow the future extraction without damaging the cover

17) CHIUSURA CUSCINETTO DI ROTAZIONE.

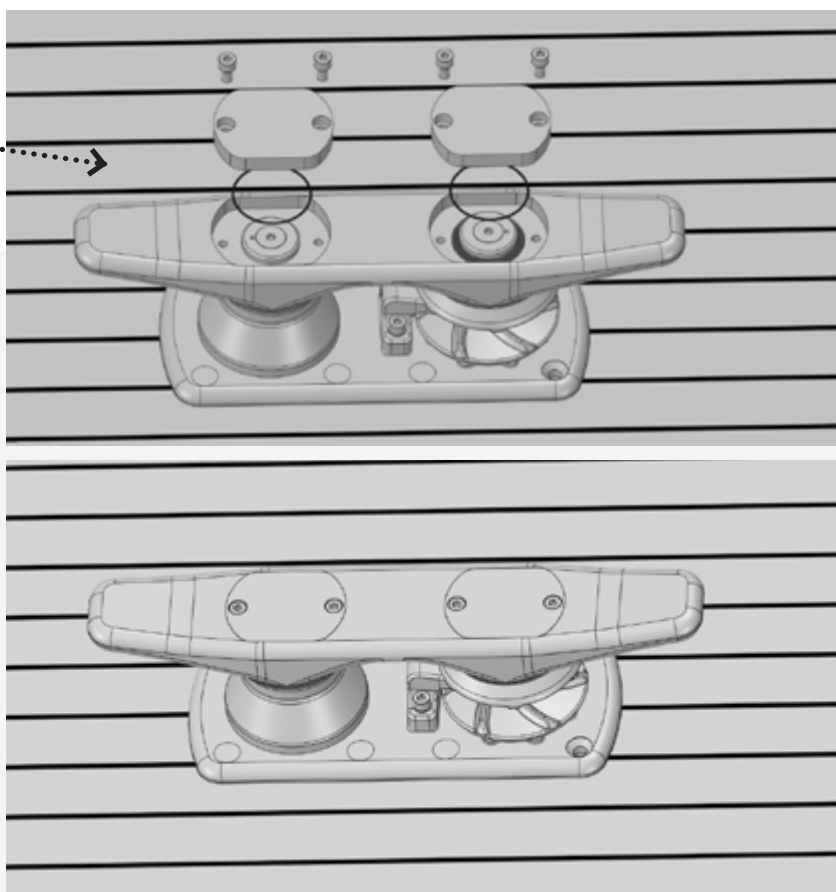
ROTARING BEARING CLOSURE

Riempire le parti con grasso suggerito, prima della chiusura del giunto sferico con il coperchio apposito tramite viti di posizione (35).

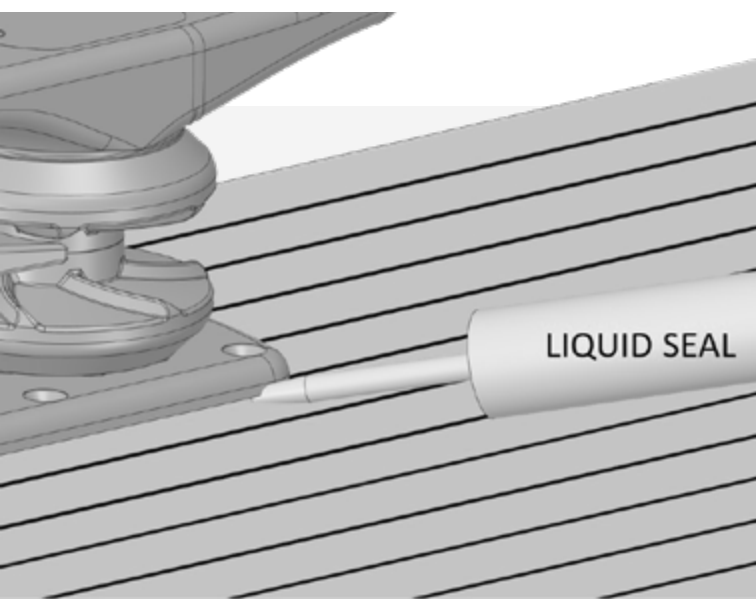
NB: Questa manovra può anche essere eseguita al termine dell'installazione.

Fill the part with the recommended grease before closing the spherical joint, with the cover using screw of position (35)

NB: This operation coulbe be done also at the end.



JOY B2B124H



18) PRIMA DEL SERRAGGIO ALLA COPERTA INSERIRE UNA GUARNIZIONE LIQUIDA

INSERT A LIQUID GASKET BEFORE TIGHTENING TO THE DECK

Suggeriamo per praticità di posizionare la guarnizione liquida (tipo sikaflex) alla fine del montaggio e prima di serrare le quattro viti di posizione (5).

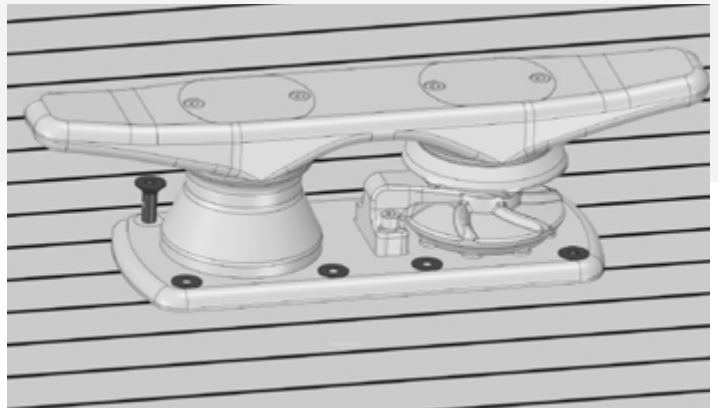
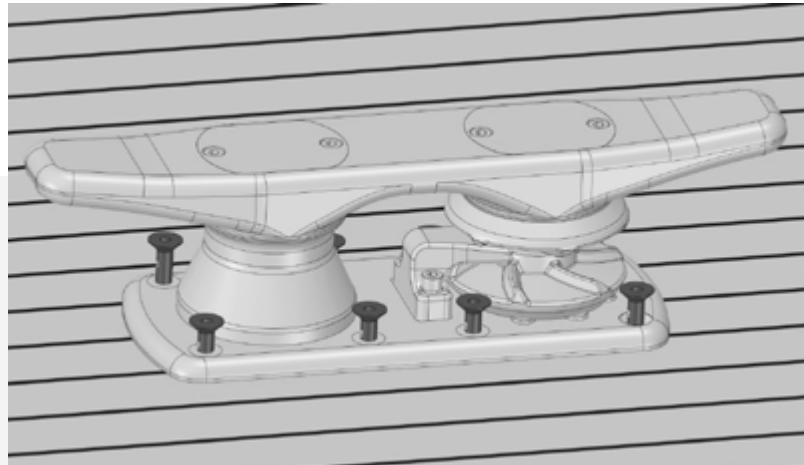
We suggest you to position the liquid seal (for ex.sikaflex) at the and of the assembly e before fixing the four screw of position (5).

19) SERRAGGIO FINALE ALLA COPERTA

FINAL FIXING TO THE DECK

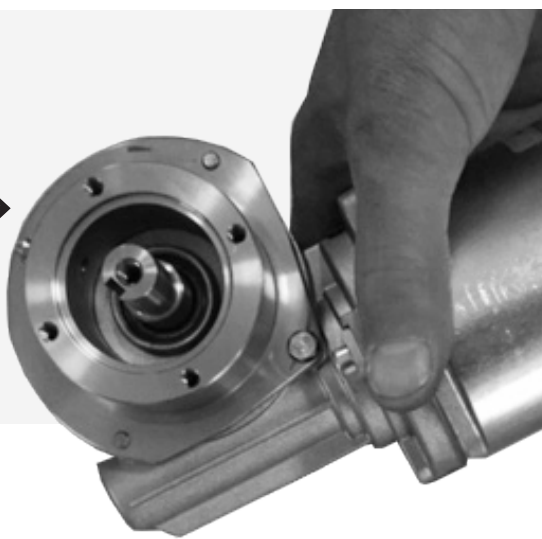
Prima del serraggio delle viti di posizione ⑦, inserire la guarnizione liquida che isola JOY dal ponte. A viti serrate eseguite le manovre finali.

Before fixing the screw of position ⑦, insert the liquid seal that isolates JOY from the deck. After fixing the screws, do the final operations.



JOY B2B124H

**GREASE
FATTENER**



20) STEP FINALE

FINAL STEP

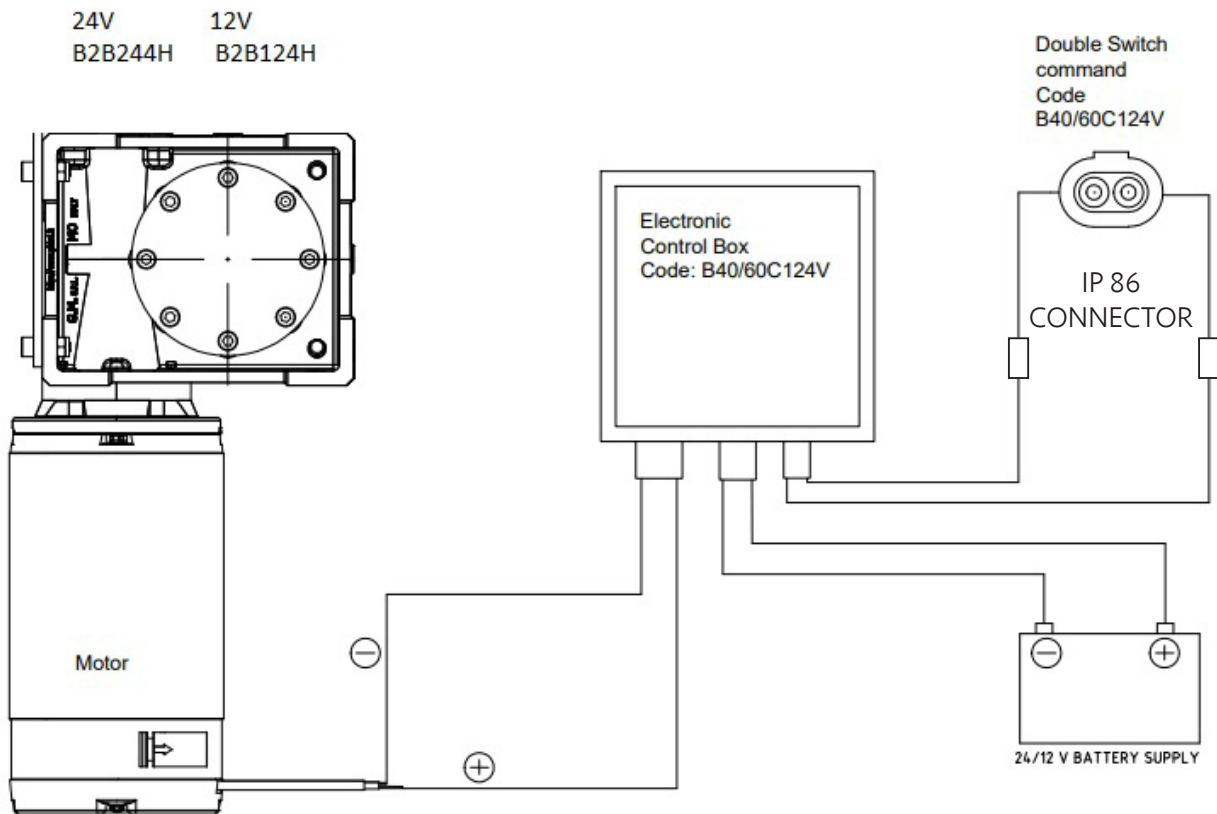
Al termine, ingrassare a pieno l'albero rotante tramite apposito ingrassatore usando grasso blu marino.

At the end, full fill the rotating shaft via fattener with the recommended gear grease.

COLLEGAMENTO ELETTRICO SECONDO SCHEMA

ELECTRICAL CONNECTION ACCORDING TO SCHEME

24V 12V
B2B244H B2B124H



ATTENZIONE IMPORTANTE!

Durante l'ancoraggio a cima tesata e quindi a tensione massima, non insistere con il pulsante di comando, potreste danneggiare irreversibilmente il motore o altri apparati elettrici!

IMPORTANT WARNING

While mooring and when the line will be tensioned to the max, do not insist switching on the electrical power, you could damage the motor and or other electrical equipment!

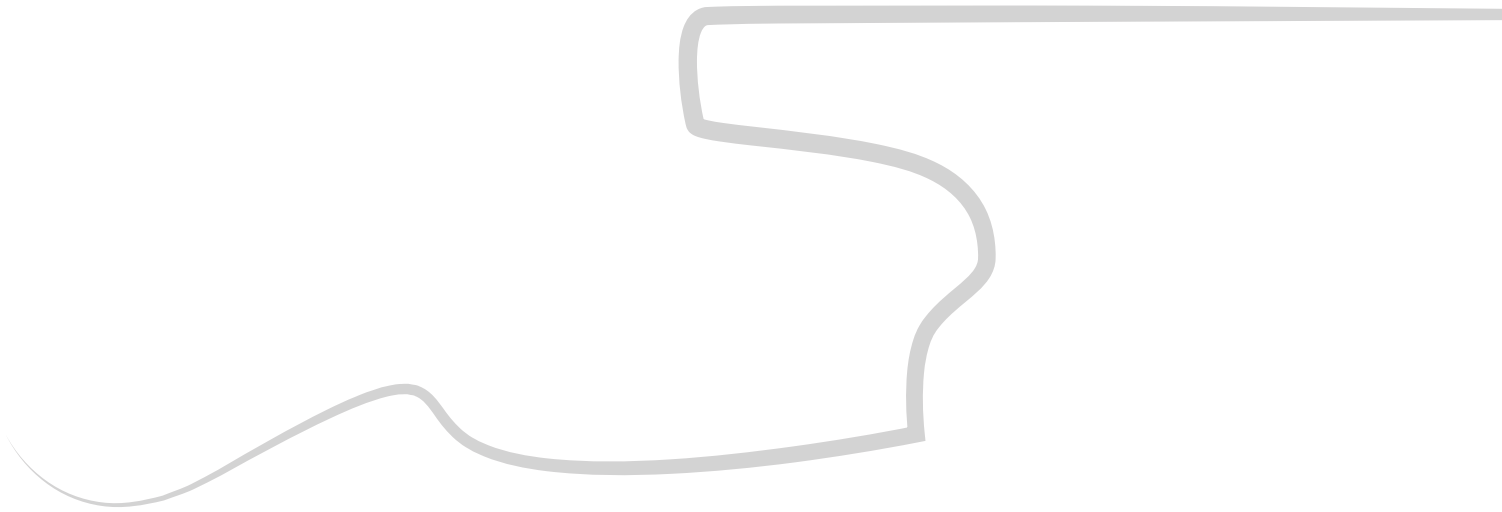
ENJOY WITH JOY

Complimenti avete installato la vostra JOY correttamente e da ora in avanti la utilizzerete per i Vs ormeggi senza piu tirare le cime sino a farvi venire o il mal di schiena o di mani.

Congratulation you installed your JOY correctly, and from now on U will use it for moorings without pull the line, avoiding back and hands pain.

JOY B2B124H

JOY B2B124H





MANUALE D'USO E MANUTENZIONE USE AND MAINTENANCE MANUAL

Manuale d'uso e Manutenzione

IMPORTANT: Please carefully read the instruction contained in this manual before putting the unit into operation

This product has been designed and produced respecting high production standards to guarantee excellent performance, convenient use and operator safety. If used with the utmost care, this product will guarantee years of optimum performance

GENERAL SAFETY RULES

ATTENZION

Carefully read all safety instructions and warnings. Failure to follow the warnings and instructions may result in electric shock, fire and serious injury.

USE FOR

This mooring motorized is equipped with a mechanical retention of the mooring line and is indicated to facilitate the maneuver of mooring in the port of the boat. This product is only suitable to favor the tension of the bow and/or stern lines of the boat and to favor the mooring phase is not to be considered as a winch or towing system.

TYPOLOGY OF USER: this product is intended for use by consumers, even non-professional maritime operators and is recommended for people of legal age.

Do not use the product for any purposes not indicated. The product should not be used as a fatigue tool. The product must not be used by children or by non-experts in the sector, the equipment is not designed for an ongoing function.

RISK TO BE READ CAREFULLY

Even indicating clearly what is the intended use for this product there are always unforeseeable residual risks. Depending on the type and construction of the product the following risks may occur:

- **Contact with rotating parts of the product, risk of abrasion and fractures**
- **Sudden and unexpected movement of the boat due to excessive tension, risk of falling, with potential fracture and abrasions**
- **Interweaving of cloche or different tops with rotating parts, risk of abrasion and potential fracture**
- **Hand skin contact, abrasion risk**
- **Keep this manual for future reference. The term "electrical appliance" used in the warnings refers to electrical appliances to be connected to the boat network, to the indicated voltage.**
- **Connections at higher voltages may cause short circuits with corresponding potential fire principles and baking of the elec-**

SAFE

- *Keep the workplace clean and well lit. The cluttered and poorly lit spaces are source of accidents.*
- *Do not use the product in potentially explosive environments such as petrol cans or gas cylinders*
- *We suggest to think well before starting with the installation of the product that is simple, but the help of a specialized technician, electrician is strongly suggested*

ELECTRICAL SAFETY

- *Prevent the body from coming into contact with grounded metal surfaces such as power cables*
- *Do not expose the electric motor to direct water source, it favors the risk of electric shock, short circuits and fires*

PERSONAL SAFETY

- *Always remain vigilant; when using an electrical appliance, always pay attention to the operations to be carried out and always use common sense. Do not use the equipment in case of fatigue, under the effect of alcohol or drugs. Never forget that a moment of distraction is enough to cause serious injury*
- *Avoiding or minimizing involuntary start-ups due to or interlocking the footswitch or malfunctions of the system, the equipment is not designed to remain in constant motion.*
- *Before starting up the equipment and during its normal use, make sure that there are no foreign bodies that can block or compromise his operational.*
- *Do not extend the arms excessively by placing your hands close to the motorized rotating pin to prevent them from becoming involuntarily entangled in the mechanism*
- *Avoid intertwining the mooring lines with clothes, bracelets, necklaces or other that can create the situation of clinging and dragging towards the rotating motorized part*

USE AND MAINTENANCE OF ELECTRICAL APPLIANCES

- *Do not force the appliance. Use the appliance appropriate for the work to be done. The appliance will offer better performance and will be safer when used in the system for which it has designed.*
- *Do not use the appliance if the switch does not allow it to start and stop correctly. A device that can not be switched on and off properly is dangerous and must be completely repaired.*
- *Disconnect the appliance from the power supply before making adjustments or changing spare parts. These preventive safety measures reduce the risk of accidental switching on of the appliance with consequent damage to property and persons.*
- *Check the status and functionality of the electric motor to avoid electric shocks*
- *Observe the working conditions and the operations to be carried out while using the appliance. To avoid dangerous situations, use the electric appliance only for the work for which it was designed*
- *Do not underestimate that the JOY has the same function as a normal known cleat but is powered by a geared motor is therefore to be considered as a machine and as such should be treated, especially in respect of potential damage to property and especially to the people*

MAINTENANCE

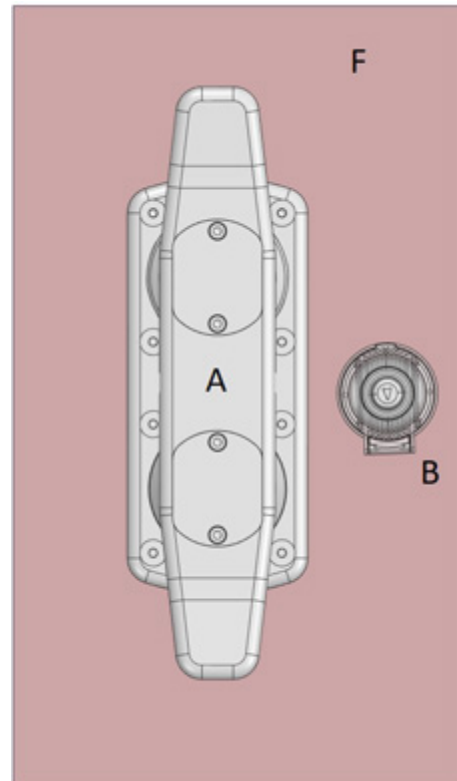
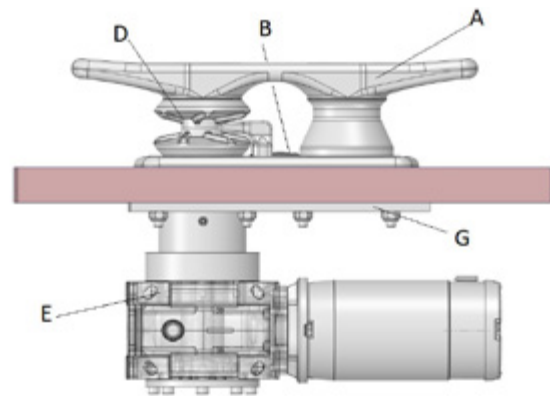
- Any repairs must be carried out by a qualified technician, who, we suggest, must use only original spare parts. Maintenance requires a two year verification of rotating parts and seals; annually insert the grease indicated on the vulcanized rubber seals in order to increase its life, grease the gearmotor body every year.

GENERAL SAFETY REGULATIONS

- Before start controll the sense of rotation of the shaft in order to make the equipment work properly ·
- With the rope in the hand and not in tension, position it correctly, giving once around the two rotating pins of the equipment ·
- Position yourself with wide legs in a comfortable position in order to perform the maneuver in safety while maintaining a firm position to keep the return top stretched to facilitate maneuvering. ·
- Open the safety cover of the foot switch in order to carry out the top tension operation constantly and without interrupting it. ·
- Pay attention during the final tension phase of the rope avoiding to bring it to a condition of excessive tension and breaking, in order to avoid damage to things and especially to people.
- **BE AWARE THIS IS A MACHINE CAN DAMAGE THE PEOPLE**

SPECIFICHE

Model	B2B124H
Rated Voltage In	12 VDC
Power	550 W
Rated Load Current	57 A
Maximum Current Draw	60 A
Duty Cycle	S2 30 min
IP Rating (Motor)	IP44
Maximum Rope Speed	4,7 M/Min
Output Shaft Speed	60 RPM
Output Shaft Torque	78 Nm
Load In Work On Gearbox	4000 N / 400-410 kg
Maximum Load On Gearbox	7848 N - 800 kg
Insulation Class	F
Gearbox Oil	ISO 150 PAO
Maximum current absorbed	60 A
Tot Weight	52 Kg
Included Command	B60C124V
Material	AISI 316 L
Mooring Line Section Range	25mm-35mm
Vessel Length (Suggested)	70-95 ft / 22-30 mt
Vessel Weight (Suggested)	30-40 tons



(A)	Upper deck element
(B)	Foot Switch
©	Neutral rotating Pin
(D)	Motorized rotating Sel Tail
(E)	Underdeck Motorgearbox
(F)	Deck
(G)	Counter Plate for appliance deck fixing

IFORMAZIONI SUL PRODOTTO

- External part AISI 316L ·
- Rotary part— secondary shaft—sealed bearing, primary shaft in grease immersion camera ·
- Motorgearbox IP 44 ·
- Connection interface coil installed in a sealed electrical box ·
- Foot switch in printed polymer IP 67 ·
- Gear motor shaft rotation parts with grease bath ·
- Seals to water on rotating parts made of high-strength vulcanized rubber

GENERAL INFORMATION

For any request, contact the technical office of Bonomi srl

Head Office: Via Mario Pagano, 63 - 20145 Milano (MI)
 Facility: Via B. Salvadori, 34 - 15011 Acqui Terme (AL)
 Phone: + 39 0144 445363
 Mail: info@bonominet.it
 Website: www.bonominet.it

ASK FOR JOY IT WILL BE DELIVERD IN ANY PLACE!

MANOVRE PER L'ANCORAGGIO

MANOEUVRE FOR MOORING

- 1** Posizionare la cima nel passa cima
Positioning the line in the guide line
- 2** Verifica del senso di rotazione del Self Tail che vi indicherà il lato di posa della cima
Check the Self Tail rotation direction that will indicate you the line position
- 3** Posizionare la cima lateralmente a Joy
Place the line sideways at JOY
- 4** Dare una volta attorno ai due perni rotanti
Give once around the two rotating shaft
- 5** Tenere in tensione la cima di ritorno
Keep the line back in tension
- 6** Azionare il pulsante di comando tenendo la cima di ritorno in tensione
Start up the control button by holding in tension the line back
- 7** Eseguire il classico nodo di Galloccia per fissare la cima a Joy
Perform the classic cleat node to fix the line to JOY
- 8** Dare una volta attorno al nodo di galloccia per sicurezza
Give once around the cleat node for security



FOR MORE INFO CONTACT US

www.bonominet.it

info@bonominet.it

GRAZIE PER LA VOSTRA FIDUCIA!

THANKS FOR YOUR TRUST!

