

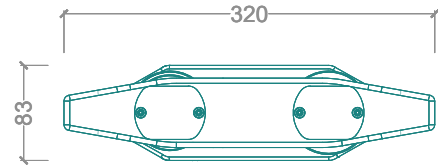
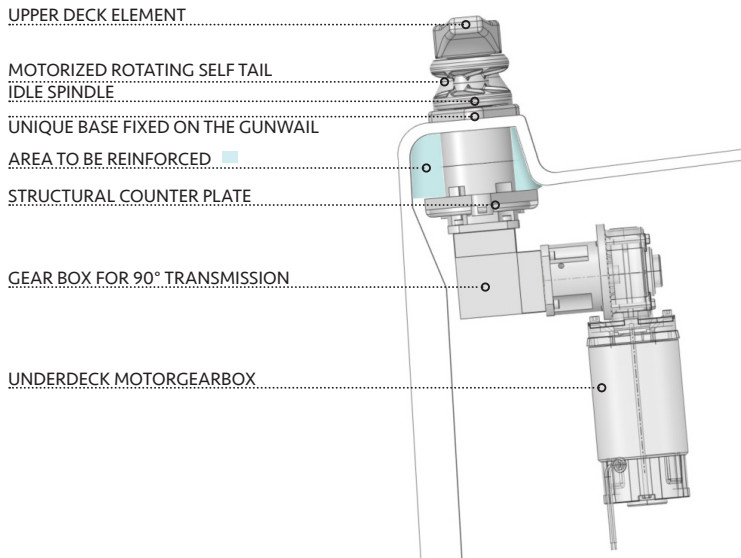
# TDS Model B6A241T

## The Self Tailing Cleat

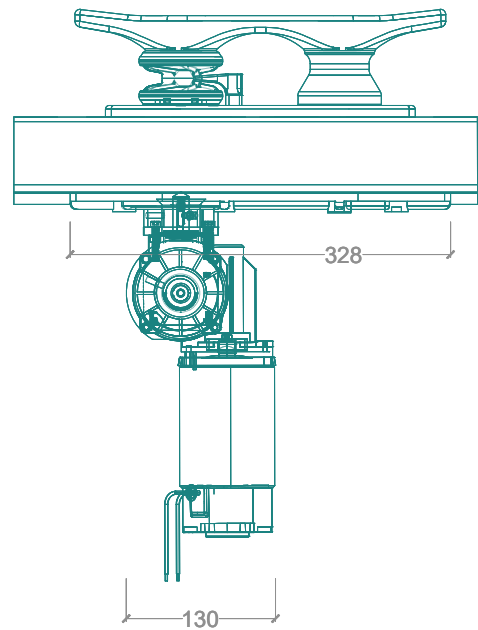


### DIMENSIONS

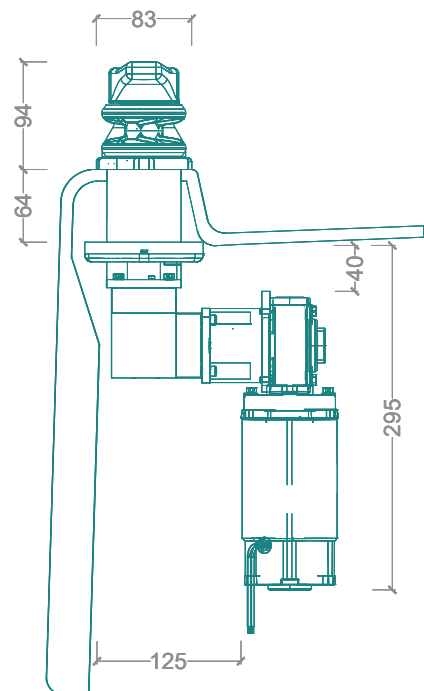
JOY is designed and realized in stainless steel AISI 316 L with particular attention in over dimensional protocol and to the sea side condition. This model is realized to install JOY on the GUNWAIL



PLANT



LONGITUDINAL SECTION



TRASVERSAL SECTION

### TECHNICAL DATA

<b>Model</b>	B3A121H
<b>Volt DC</b>	12
<b>Maximum Volt</b>	14
<b>Duty</b>	S2 5 min
<b>Output Cable mm<sup>2</sup></b>	2,5
<b>A</b>	F.F.:1
<b>Watt</b>	230
<b>RPM to the slowdown shaft</b>	60 rpm
<b>Torsion to the slowing shaft</b>	25-30 Nm
<b>Max speed</b>	6,5 m/min
<b>Load in work on the reducer</b>	1100 N - 110 kg
<b>Maximum load on gearbox</b>	1600 N-145-175 kg*
<b>Ins. Class</b>	F
<b>Protection</b>	IP 44
<b>Oil gerabox</b>	ISO 150 PAO
<b>Maximum current absorbed</b>	40 A
<b>Weight tot. kg</b>	11,5 kg
<b>Singular comand deck switch</b>	1
<b>Material</b>	AISI 316 L
<b>Mooring Line seccion mm</b>	20 - 32