

TDS Model B2A243H

The Self Tailing Cleat



JOY is designed and realized in Stainless Steel AISI 316 L with particular attention in over dimensional protocol and attention to the sea side condition, it can be use for vessel from 50 to 70 feet. It is well utilized and installed in bow as in stern singularly or in couple.

UPPER DECK ELEMENT

MOTORIZED ROTATING SELF TAIL

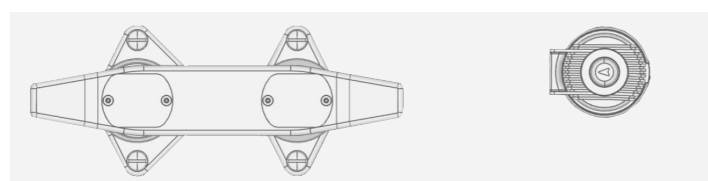
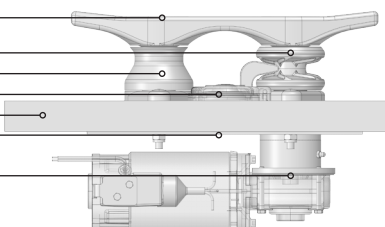
IDLE SPINDLE

FOOTSWITCH

DECK

COUNTER PLATE (deck template)

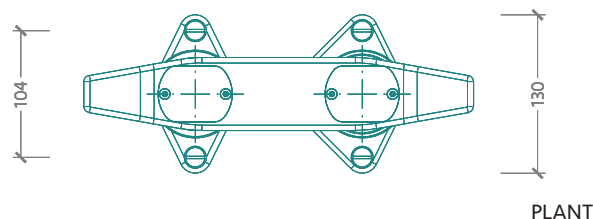
UNDERDECK MOTORGEARBOX



Model	B2A241H
Volt DC	24
Maximum Volt	29
Duty	S2 30 min
Output Cable mm2	6
A	27 F.F.:1
Watt	550
RPM to the slowdown shaft	60 rpm
Torsion to the slowing shaft	78 Nm
Max speed	4,7 m/min
Load in work on the reducer	3120 N - 318 kg
Maximum load on gearbox	6240 N-600-630kg*
Ins. Class	F
Protection	IP 44
Oil gerabox	Shell Omala S4WE
Maximum current absorbed	60 A
Weight tot. kg	23 kg
Singular comand deck switch	1
Material	AISI 316 L
Mooring Line seccion mm	20 - 32

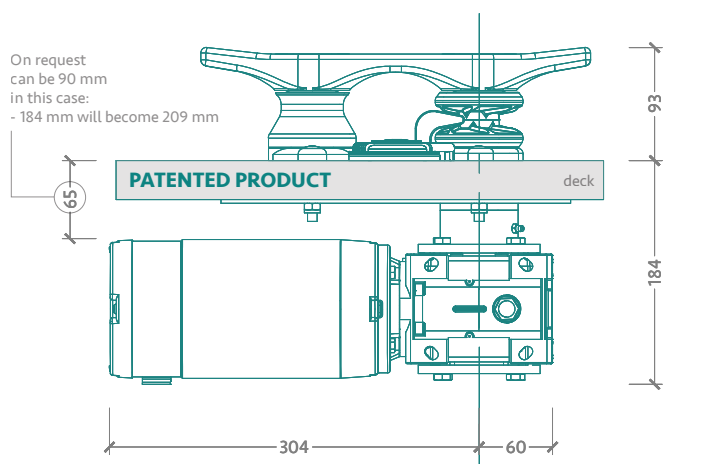


DIMENSIONS



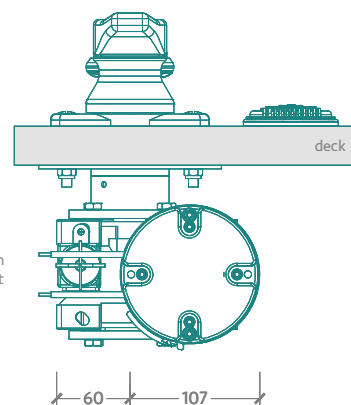
PLANT

On request
can be 90 mm
in this case:
- 184 mm will become 209 mm



LONGITUDINAL SECTION

Turning the GEARMOTOR
by 180° five an overall position
towards the center of the boat



TRASVERSAL SECTION

TECHNICAL DATA